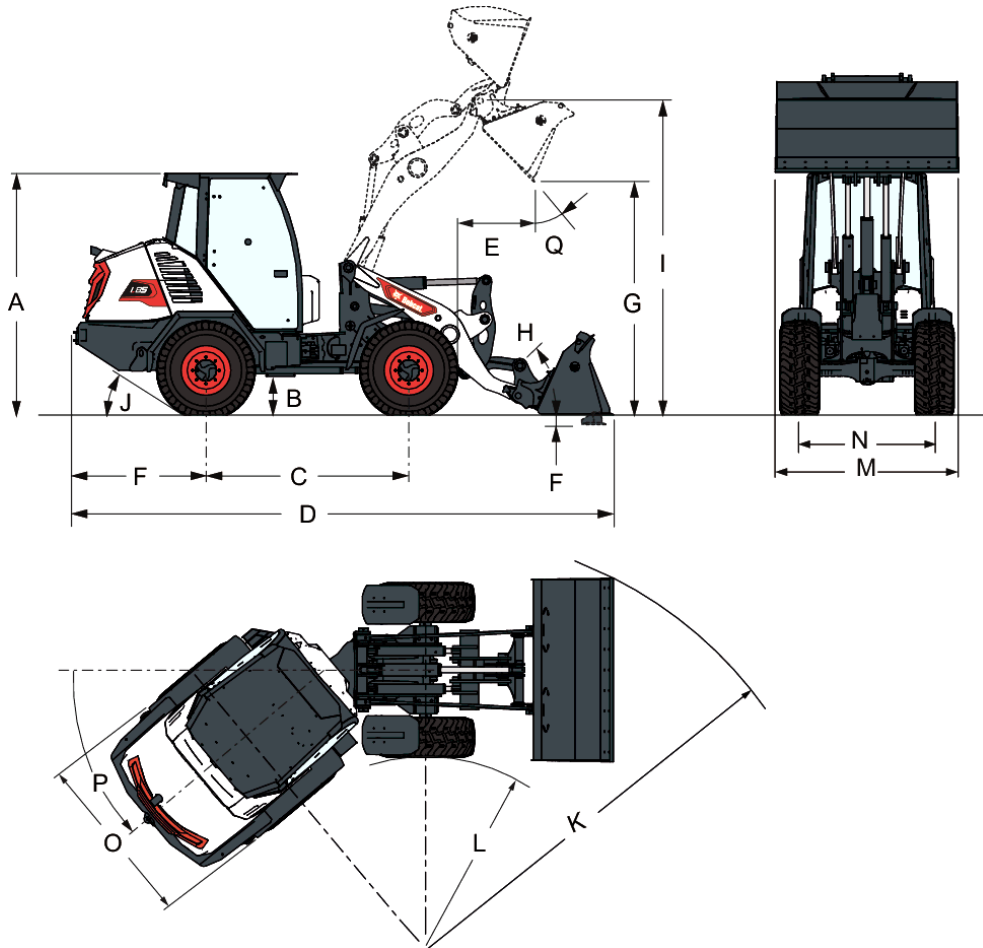
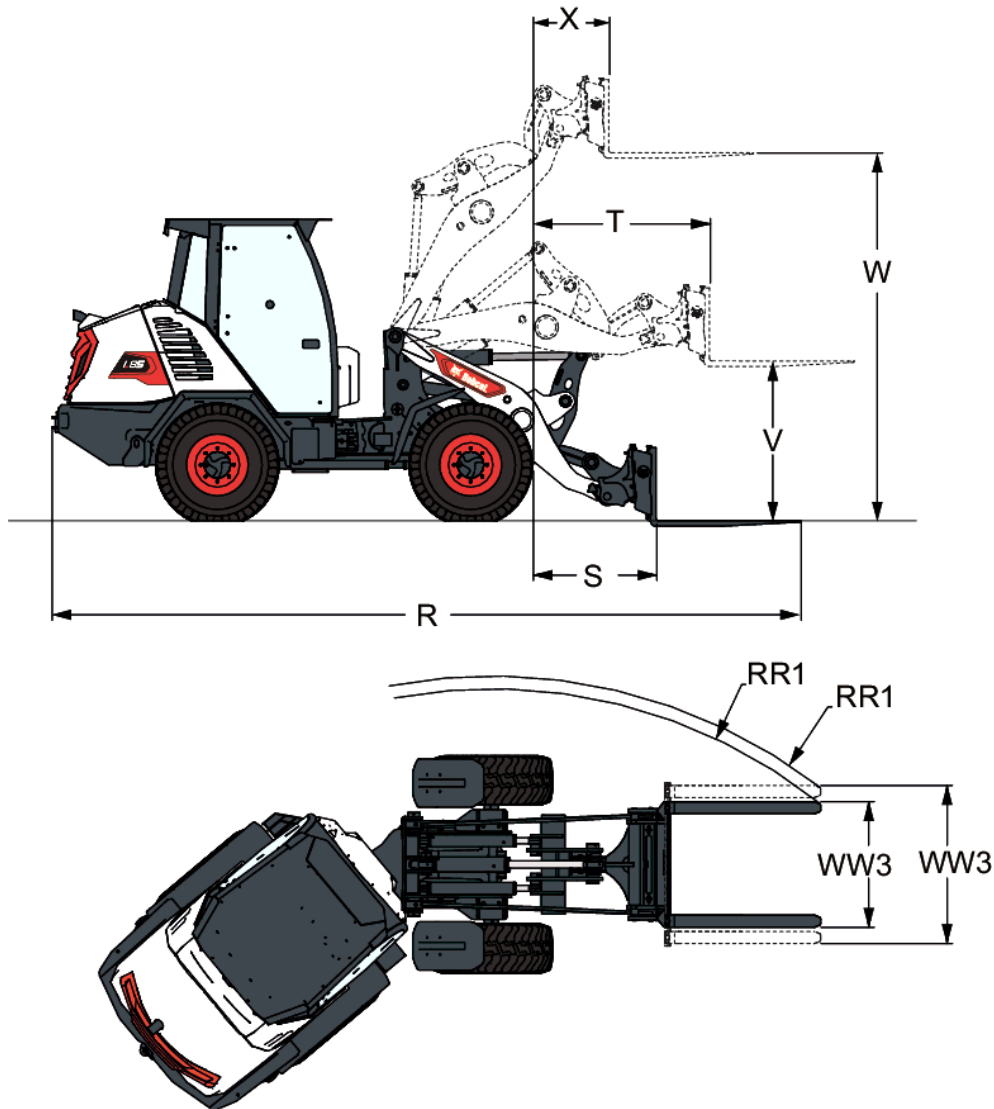


Mått


(A) Cab Height	2497.7 mm
(B) Ground Clearance	427.0 mm
(C) Hjulbas	2100.0 mm
(D) Overall Length with Bucket	5452.7 mm
(E) Reach at Maximum Dump Height	686.0 mm
(F) Dig Depth	100.0 mm
(G) Maximum Dump Height	2507.5 mm
(I) Hinge Pin at Maximum Height	3250.0 mm
(J) Departure Angle	33.4°
(K) Turning Radius Over Bucket	3829.8 mm
(L) Turning Radius Inside Tire	1985.6 mm
(M) Width Over Bucket	1900.0 mm
(N) Tire Gauge	1393.0 mm
(O) Machine Width	1800.0 mm
(P) Articulation Angle	40.0°
(Q) Dump Angle at Maximum Height	45.0°

Dimensions - Pallet fork



(R) Overall Length with Forks	5979.4 mm
(S) Reach at Ground Level	795.9 mm
(T) Maximum Reach	1277.7 mm
(V) Fork Height at Maximum Reach	1374.0 mm
(W) Maximum Fork Height	3100.0 mm
(X) Fork Reach at Maximum Height	441.9 mm
(WW3) Fork width	773.6 - 1313.6 mm
(RR1) Turning radius - carry positions	4262 - 4472.6 mm

Performance with bucket

Bucket capacity	0.8 m ³
Bucket range	0.6 - 1.2 m ³
Tippbelastning, rak (ISO 14397-1)	3801 kg
Tippbelastning, ledad med 40° (ISO 14397-1)	3151 kg
Rated operating capacity (ISO 14397-1)	1901 kg
Lyftkraft (ISO 14397-2)	48.80 kN
Lyftkapacitet (ISO 14397-2)	36.90 kN

Performance with pallet fork

Tipping load, straight (ISO 14397-1)	2910 kg
Tipping load, articulated at 40° (ISO 14397-1)	2451 kg

Motor

Model	2.4L V2 BOBCAT ENGINE
Överensstämelse	STEG V
Avkylning	Vätska
Bränsle	Diesel
Power at 2600RPM (ISO 14396):	50.7 kW

Vikter

Driftvikt, standard (ISO 6016)	5091 kg
Transportvikt, standard	4674 kg
Max front axle load	6000 kg
Max rear axle load	6000 kg

Hydrauliksystem

Styrventil	3 SPOLAR (TILLVAL 4)- PARALLELSERIETYP - ÖPPEN MITT
System Relief @ Quick Couplers	20.5 MPa
Auxiliary Std Flow	75.40 L/min
Auxiliary High Flow	103.50 L/min

Reglage

Styrning	Ratt
Travel Direction	Färdriktningsreglage (F-N-R) på joystickarna. Körpedal i arbets- och körläge.
Machine hydraulics	Dubbelaxlad joystick för lyft, tilt och yttre
Vehicle braking	Kombination av integrerad 6 våtbromsskivor i bakaxeln med hydrostatisk bromsstyrning

Drivsystem

Main Drive	Proportionally regulated hydrostatic motor
Transmission	Hydrostatic with electronic regulation

Tillbehör

- Automatic Ride Control
- Roterande varningsljus
- Brakes German

- Inklädd hytt med HVAC
- Fire Extinguisher
- Högflödeshydraulik
- Road Lights LED
- Road Package
- 2 speed 30km/h
- Wheels 335/80 R18
- Wheels 365/70 R18
- Wheels 405/70 R20

Standardegenskaper

Standard Features

- Advanced Attachment Controls
- 7-stifts styrsats för redskap
- Bobcat Telematics Europe
- Bucket Level Indicator
- Brakes Standard
- Automatisk parkeringsbroms
- Cloth Suspension Seat
- Deluxe-förarhytt med värme
- Differential Lock
- Key Ignition with Password
- Power Quicktach
- Radio Ready
- Rear View Camera
- Road Lights Halogen
- 2 speed 20km/h
- Standard-flow auxiliary hydraulics
- Wax Coat Treatment
- Wheels 405/70 R18
- Work Lights LED
- 12 V eluttag
- USB-laddare
- Warranty: 24 months or 2000 hours (whichever occurs first)

BE OM **EN OFFERT**

Klicka bara på **knappen** eller skanna **QR-koden** nedan för åtkomst till vårt offertformulär.

Vi kontakter dig så snart som möjligt. Tack!



BEGÄR OFFERT

