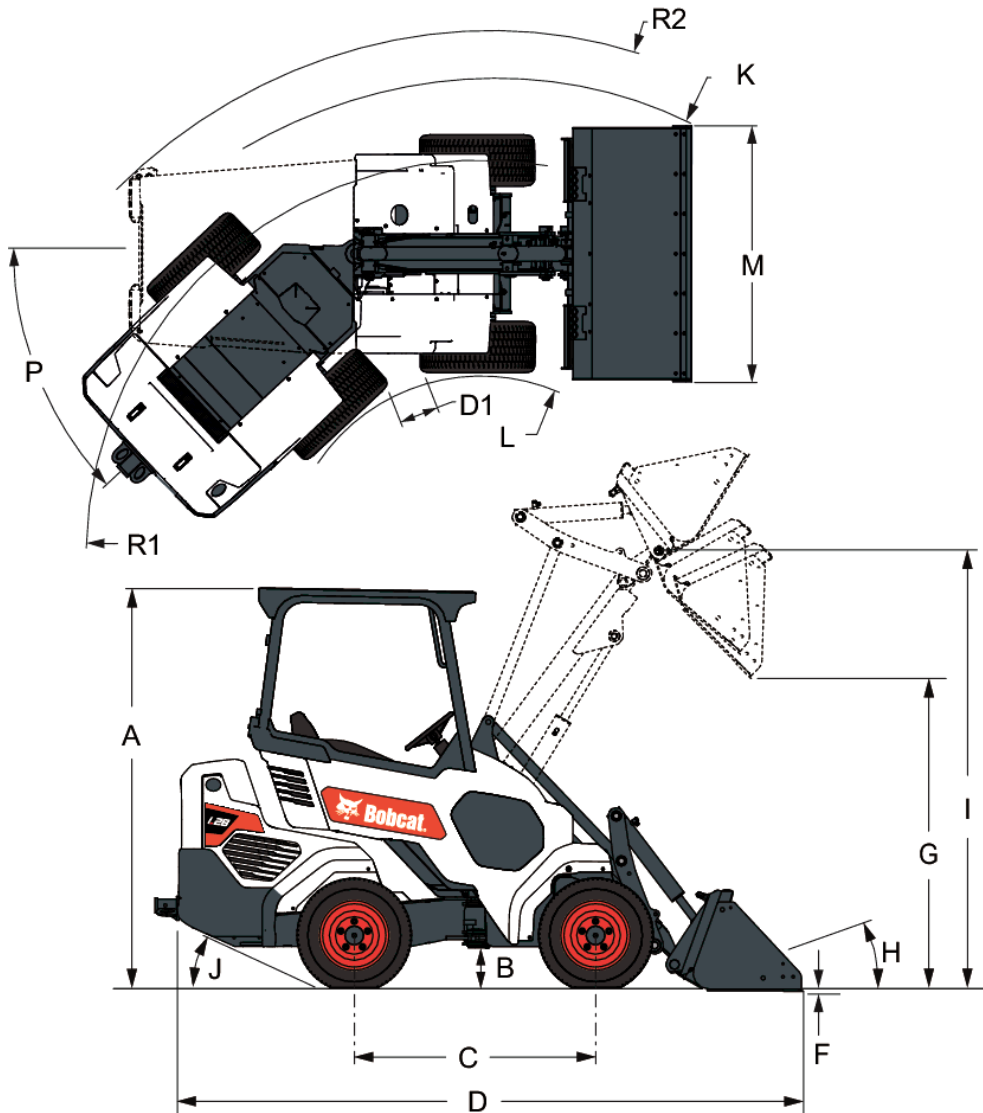


## Dimensions



|                                  |           |
|----------------------------------|-----------|
| (A) Cab Height                   | 1983.7 mm |
| (B) Ground Clearance             | 196.0 mm  |
| (C) Wheelbase                    | 1200.0 mm |
| (D) Overall Length with Bucket   | 3109.0 mm |
| (F) Dig Depth                    | 19.5 mm   |
| (G) Maximum Dump Height          | 2136.4 mm |
| (H) Load Over Height             | 30.0°     |
| (I) Hinge Pin at Maximum Height  | 3107.1 mm |
| (J) Departure Angle              | 23.0°     |
| (K) Turning Radius Over Bucket   | 2407.7 mm |
| (L) Turning Radius Inside Tire   | 931.5 mm  |
| (M) Width Over Bucket            | 1270.0 mm |
| (O) Machine Width                | 1180.7 mm |
| (P) Articulation Angle           | 43.0°     |
| (Q) Dump Angle at Maximum Height | 40.0°     |

## Performance

|  |         |
|--|---------|
| Tipping load - Straight - Bucket                           | 1392 kg |
| Tipping load - Straight - Forks                            | 945 kg  |
| Tipping load - Straight - Extended - Bucket                | 805 kg  |
| Tipping load - Straight - Extended - Forks                 | 601 kg  |
| Tipping load - Articulated - Bucket                        | 1109 kg |
| Tipping load - Articulated - Forks                         | 759 kg  |
| Tipping load - Articulated - Extended - Bucket             | 645 kg  |
| Tipping load - Articulated - Extended - Forks              | 479 kg  |
| Rated Operating Capacity - Straight - Bucket               | 696 kg  |
| Rated Operating Capacity - Straight - Forks                | 473 kg  |
| Rated Operating Capacity - Straight - Extended - Bucket    | 403 kg  |
| Rated Operating Capacity - Straight - Extended - Forks     | 301 kg  |
| Rated Operating Capacity - Articulated - Bucket            | 554 kg  |
| Rated Operating Capacity - Articulated - Forks             | 380 kg  |
| Rated Operating Capacity - Articulated - Extended - Bucket | 323 kg  |
| Rated Operating Capacity - Articulated - Extended - Forks  | 239 kg  |
| Lift Capacity  | 1085 kg |
| Breakout Force - Boom                                      | 1141 kg |

## Engine

|                                |  |
|--------------------------------|--|
| Make / Model                   | KUBOTA / D1305-E4B-BC-1                  |
| Fuel                           | DIESEL                                   |
| Cooling                        | 53% PROPYLENE GLYCOL / 47% WATER MIXTURE |
| Power at 2600 RPM (ISO 14396)  | 18.2 kW                                  |
| Torque at 1700 RPM (ISO 14396) | 81.3 Nm                                  |
| Number of cylinders            | 3 IN-LINE                                |
| Displacement                   | 1 cm <sup>3</sup>                        |

## Weight

|                  |         |
|------------------|---------|
| Operating weight | 1903 kg |
| Shipping weight  | 1731 kg |

## Hydraulic System

|                         |  |
|-------------------------|--|
| System Relief           | 20.0 MPa   |
| Implement Pump          | ENGINE DRIVEN GEAR TYPE  |
| Implement Pump Capacity | 45.80 L/min  |
| Main Filter             | REPLACEABLE 16(c) ≥ 75 ISO 4572, SPIN ON WITH O-RING, 0.34 MPa [50 psi] BYPASS   |
| Tank Breather Filter    | NON-REPLACEABLE 10 MICRON, THREAD-ON CAP   |
| Control Valve           | MANUALLY OPERATED SERIES TYPE (LIFT & TILT FUNCTIONS) WITH FLOAT DETENT ON LIFT. E/H OPERATED PARALLEL TYPE (AUX & TELESCOPIC FUNCTIONS) |
| Hydraulic Fluid         | PREMIUM GRADE, ANTI WEAR, MULTI VISCOSITY ISO VG46, PETROLEUM BASED  |

## Fluid Capacities

---

|                                  |         |
|----------------------------------|---------|
| Cooling System                   | 5.70 L  |
| Fuel tank                        | 36.20 L |
| Engine Oil                       | 3.80 L  |
| Hydraulic and Hydrostatic System | 20.80 L |

## Drive System

---

|              |   |
|--------------|---|
| Transmission | 4 Wheel Drive with automatic drive modes, Optional Traction assist function |
|--------------|---|

## Electrical

---

|                 |  |
|-----------------|--|
| Alternator      | 90 A OPEN FRAME WITH INTERNAL REGULATOR  |
| Battery         | 12 VOLT BCI GROUP 26; 540 AMPS COLD CRANKING CAPACITY AT 0 F (-18 C); 80 MINUTE RESERVE CAPACITY |
| Starter         | 12 V GEAR TYPE 2.0 kW [2.68 hp]  |
| Ignition Switch | ACTIVATES STARTER AND INSTRUMENTATION  |

## Cycle times

---

|               |       |
|---------------|-------|
| Raising time  | 2.6 s |
| Lowering time | 2.2 s |
| Dump time     | 1.4 s |
| Rollback time | 1.8 s |

## Environmental

---

|   |                       |
|---|-----------------------|
| Bystander Noise Level (ISO 6395)        | 99 dB(A)              |
| Operator Position Noise (ISO 6396/4871) | 85 dB(A)              |
| Hand-Arm vibration (ISO 5349-1/2)       | 0.55 ms <sup>-2</sup> |
| Whole body vibration (ISO 5349-1/2)     | 0.67 ms <sup>-2</sup> |

## Standard Features

---

- Automatic Traction Modes - High and Turf Safe
- Auxiliary Hydraulics
- BICS System (Interlock)
- Backup Alarm
- Canopy
- Cup Holder
- Fixed Lift Arm
- Front and Rear Work Lights
- Horn
- Hydraulic Self Level (Bucket Positioning)
- Lift-Arm Support
- Spark Arrestor Muffler
- Static Vinyl Seat
- Tires 23 x 10.50-12 - Turf

## Options

---

- Adjustable Suspension Seat
- Cab Enclosure with Heater

- Counterweights
- Fender kit
- Heated Seat
- Lift Kit
- Power Bob-Tach Attachment System
- Radio
- Rear Guard
- Rear Window
- Road Lights
- Rotating Flashing Beacon
- Sediment Bowl
- Tires 23 x 8.50-12 - Tractor
- Tires 23 x 8.50-12 - Turf
- Tires 26 x 12.00-12 - Tractor
- Tires 26 x 12.00-12 - Turf
- Traction Assist
- Turn Signals

# GET **A QUOTE**

Simply click **the button** or scan **the QR code** below to access our quote request form.

We will contact you as soon as possible.  
Thank you!



**REQUEST QUOTE** >