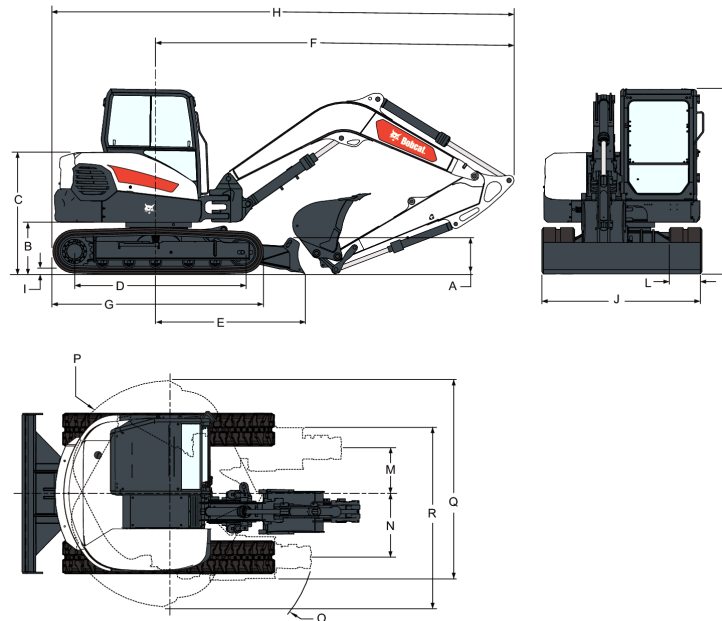
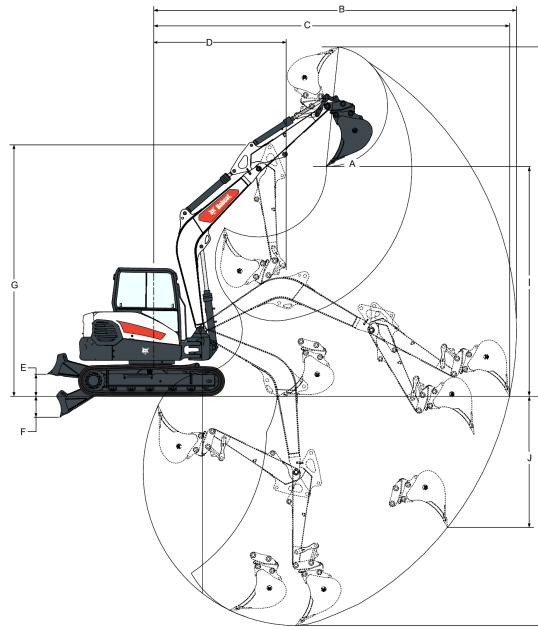


Dimensions

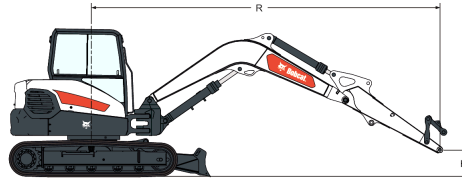


| | |
|-------------------------------------------------------------------------------|-----------|
| (A) Blade height | 462.0 mm |
| (B) Clearance, upper structure to ground line | 710.0 mm |
| (C) Ground line to top of engine cover | 1666.0 mm |
| (D) Length of track on ground | 2311.0 mm |
| (E) Machine centre line to blade | 2009.0 mm |
| (F) Minimum radius in travel position | 4872.0 mm |
| (F*) Minimum radius in travel position, long dipperstick | 4886.0 mm |
| (G) Overall length of track assembly | 2896.0 mm |
| (H) Overall length in travel position | 6329.0 mm |
| (H*) Overall length in travel position, long dipperstick | 6341.0 mm |
| (I) Track lug height | 30.0 mm |
| (J) Blade width | 2200.0 mm |
| (K) Height | 2540.0 mm |
| (L) Track width | 450.0 mm |
| (M) Machine centre line to working equipment centre line, left-hand rotation | 622.0 mm |
| (N) Machine centre line to working equipment centre line, right-hand rotation | 907.0 mm |
| (O) Minimum turning radius | 2202.0 mm |
| (O*) Minimum turning radius, long dipperstick | 2345.0 mm |
| (P) Swing clearance, rear | 348.0 mm |
| (P*) Swing clearance, add-on counterweight | 468.0 mm |
| (Q) Working width at maximum right-hand rotation | 2600.0 mm |
| (Q*) Working width at maximum right-hand rotation, add-on counterweight | 2707.0 mm |
| (R) Working width at maximum left-hand rotation | 2525.0 mm |
| (R*) Working width at maximum left-hand rotation, add-on counterweight | 2646.0 mm |
| (•) Boom length (boom pivot to arm pivot) | 3380.0 mm |
| (•) Standard arm length (arm pivot to bucket pivot) | 1840.0 mm |
| (•) Optional arm length (arm pivot to bucket pivot) | 2180.0 mm |
| <i>(Values with a "*" are for the long dipperstick)</i> | |

Working Range



| | |
|---------------------------------------------------------------------------------------------------------------------|-----------|
| (A) Bucket pivot angle | 170.0° |
| (B) Maximum reach of working equipment | 7225.0 mm |
| (B*) Maximum reach of working equipment, long dipperstick | 7549.0 mm |
| (C) Maximum reach at ground level | 7087.0 mm |
| (C*) Maximum reach at ground level, long dipperstick | 7418.0 mm |
| (D) Maximum working equipment radius with boom at maximum height and dipperstick fully retracted | 2659.0 mm |
| (D*) Maximum working equipment radius with boom at maximum height and dipperstick fully retracted, long dipperstick | 2964.0 mm |
| (E) Maximum blade height | 479.0 mm |
| (F) Maximum blade depth | 410.0 mm |
| (G) Maximum height of working equipment with dipperstick retracted | 4983.0 mm |
| (H) Maximum bucket tooth height | 6887.0 mm |
| (H*) Maximum bucket tooth height, long dipperstick | 7115.0 mm |
| (I) Maximum dump height | 4537.0 mm |
| (I*) Maximum dump height, long dipperstick | 4765.0 mm |
| (J) Maximum depth of vertical wall which can be excavated | 2587.0 mm |
| (J*) Maximum depth of vertical wall which can be excavated, long dipperstick | 2883.0 mm |
| (K) Maximum digging depth | 4519.0 mm |
| (K*) Maximum digging depth, long dipperstick | 4859.0 mm |
| <i>(Values with a "*" are for the long dipperstick)</i> | |

Lift Capacity (Standard dipperstick - Object handling applications excluded)

Rated hydraulic lift capacity Over blade, blade down

| Lift point height [H] (mm) | Maximum radius [R] (mm) | Lift at max. radius (kg) | Lift at 3000 mm radius | Lift at 4000 mm radius | Lift at 5000 mm radius | Lift at 6000 mm radius |
|----------------------------|-------------------------|--------------------------|------------------------|------------------------|------------------------|------------------------|
| 4000 | 5266 | 1771* | - | 1735* | 1741 | - |
| 3000 | 5749 | 1756* | - | 2002* | 1809* | - |
| 2000 | 5992 | 1767* | 3563* | 2439* | 1989* | - |
| 1000 | 6030 | 1791* | 4052* | 2846* | 2173* | 1802 |
| Ground | 5869 | 1820* | 4554* | 3036* | 2266* | - |
| -1000 | 5486 | 1839* | 4237* | 2949* | 2174* | - |

* Rated hydraulic lift capacity

Rated hydraulic lift capacity Over blade, blade up

| Lift point height [H] (mm) | Maximum radius [R] (mm) | Lift at max. radius (kg) | Lift at 3000 mm radius | Lift at 4000 mm radius | Lift at 5000 mm radius | Lift at 6000 mm radius |
|----------------------------|-------------------------|--------------------------|------------------------|------------------------|------------------------|------------------------|
| 4000 | 5266 | 1360 | - | 1735 | 1486 | - |
| 3000 | 5749 | 1188 | - | 2002 | 1488 | - |
| 2000 | 5992 | 1112 | 3150 | 2039 | 1465 | - |
| 1000 | 6030 | 1098 | 3021 | 1978 | 1438 | 1006 |
| Ground | 5869 | 1145 | 3044 | 1957 | 1426 | - |
| -1000 | 5486 | 5486 | 3144 | 1981 | 1440 | - |

* Rated hydraulic lift capacity

Rated hydraulic lift capacity Over side, blade up

| Lift point height [H] (mm) | Maximum radius [R] (mm) | Lift at max. radius (kg) | Lift at 3000 mm radius | Lift at 4000 mm radius | Lift at 5000 mm radius | Lift at 6000 mm radius |
|----------------------------|-------------------------|--------------------------|------------------------|------------------------|------------------------|------------------------|
| 4000 | 5266 | 1177 | - | 1735 | 1290 | - |
| 3000 | 5749 | 1018 | - | 1807 | 1280 | - |
| 2000 | 5992 | 943 | 2611 | 1724 | 1245 | - |
| 1000 | 6030 | 923 | 2437 | 1643 | 1206 | 929 |
| Ground | 5869 | 953 | 2404 | 1598 | 1181 | - |
| -1000 | 5486 | 1050 | 2439 | 1596 | 1180 | - |

* Rated hydraulic lift capacity

Lift capacity (Standard dipperstick, additional counterweight - Object handling applications excluded)

Rated hydraulic lift capacity Over blade, blade down

| Lift point height [H] (mm) | Maximum radius [R] (mm) | Lift at max. radius (kg) | Lift at 3000 mm radius | Lift at 4000 mm radius | Lift at 5000 mm radius | Lift at 6000 mm radius |
|----------------------------|-------------------------|--------------------------|------------------------|------------------------|------------------------|------------------------|
| 4000 | 5266 | 1771 | | 1735 | 1741 | |
| 3000 | 5749 | 1766 | | 2002 | 1809 | |
| 2000 | 5992 | 1767 | 3563 | 2439 | 1989 | |
| 1000 | 6030 | 1791 | 4052 | 2846 | 2173 | 1802 |
| Ground | 5869 | 1820 | 4554 | 3036 | 2266 | |

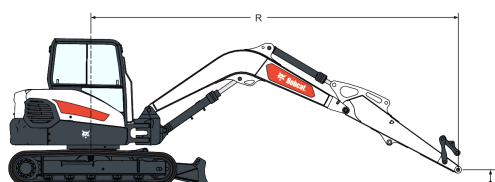
-1000

Rated hydraulic lift capacity Over blade, blade up

| Lift point height [H] (mm) | Maximum radius [R] (mm) | Lift at max. radius (kg) | Lift at 3000 mm radius | Lift at 4000 mm radius | Lift at 5000 mm radius | Lift at 6000 mm radius |
|----------------------------|-------------------------|--------------------------|------------------------|------------------------|------------------------|------------------------|
| 4000 | 5266 | 1529 | | 1735 | 1667 | |
| 3000 | 5749 | 1342 | | 2002 | 1671 | |
| 2000 | 5992 | 1260 | 3525 | 2287 | 1650 | |
| 1000 | 6030 | 1246 | 3406 | 2231 | 1626 | 1255 |
| Ground | 5869 | 1299 | 3440 | 2214 | 1616 | |

-1000

Lift Capacity (Long dipperstick - Object handling applications excluded)



Rated hydraulic lift capacity Over blade, blade down

| Lift point height [H] (mm) | Maximum radius [R] (mm) | Lift at max. radius (kg) | Lift at 3000 mm radius | Lift at 4000 mm radius | Lift at 5000 mm radius | Lift at 6000 mm radius |
|----------------------------|-------------------------|--------------------------|------------------------|------------------------|------------------------|------------------------|
| 4000 | 5644 | 1560* | - | - | 1538* | - |
| 3000 | 6091 | 1513* | - | 1759* | 1640* | 1593 |
| 2000 | 6319 | 1531* | 3093* | 2219* | 1845* | 1650 |
| 1000 | 6355 | 1612* | 4176* | 2686* | 2065* | 1732 |
| Ground | 6203 | 1671* | 4545* | 2964* | 2209* | 1759 |
| -1000 | 5847 | 1699* | 4388* | 2975* | 2198* | - |

* Rated hydraulic lift capacity

Rated hydraulic lift capacity Over blade, blade up

| Lift point height [H] (mm) | Maximum radius [R] (mm) | Lift at max. radius (kg) | Lift at 3000 mm radius | Lift at 4000 mm radius | Lift at 5000 mm radius | Lift at 6000 mm radius |
|----------------------------|-------------------------|--------------------------|------------------------|------------------------|------------------------|------------------------|
| 4000 | 5644 | 1213 | - | - | 1492 | - |
| 3000 | 6091 | 1075 | - | 1759* | 1486 | 1104 |
| 2000 | 6319 | 1011 | 3093 | 2051 | 1459 | 1099 |
| 1000 | 6355 | 998 | 3065 | 1982 | 1427 | 1088 |
| Ground | 6203 | 1035 | 3045 | 1948 | 1407 | 1084 |
| -1000 | 5847 | 1137 | 3120 | 1958 | 1411 | - |

* Rated hydraulic lift capacity

Rated hydraulic lift capacity Over side, blade up

| Lift point height [H] (mm) | Maximum radius [R] (mm) | Lift at max. radius (kg) | Lift at 3000 mm radius | Lift at 4000 mm radius | Lift at 5000 mm radius | Lift at 6000 mm radius |
|----------------------------|-------------------------|--------------------------|------------------------|------------------------|------------------------|------------------------|
| 4000 | 5644 | 1061 | - | - | 1312 | - |
| 3000 | 6091 | 930 | - | 1759 | 1295 | 956 |
| 2000 | 6319 | 866 | 2709 | 1756 | 1256 | 944 |
| 1000 | 6355 | 848 | 2510 | 1668 | 1212 | 926 |
| Ground | 6203 | 871 | 2437 | 1611 | 1179 | 912 |
| -1000 | 5847 | 949 | 2449 | 1595 | 1168 | - |

* Rated hydraulic lift capacity

Lift capacity (Long dipperstick, additional counterweight - Object handling applications excluded)
Rated hydraulic lift capacity Over blade, blade down

| Lift point height [H] (mm) | Maximum radius [R] (mm) | Lift at max. radius (kg) | Lift at 3000 mm radius | Lift at 4000 mm radius | Lift at 5000 mm radius | Lift at 6000 mm radius |
|----------------------------|-------------------------|--------------------------|------------------------|------------------------|------------------------|------------------------|
| 4000 | 5644 | 1560 | | | 1538 | |
| 3000 | 6091 | 1513 | | 1759 | 1640 | 1593 |
| 2000 | 6319 | 1531 | 3093 | 2219 | 1845 | 1650 |
| 1000 | 6355 | 1612 | 4176 | 2686 | 2065 | 1732 |
| Ground | 6203 | 1671 | 4545 | 2964 | 2209 | 1759 |

-1000

Rated hydraulic lift capacity Over blade, blade up

| Lift point height [H] (mm) | Maximum radius [R] (mm) | Lift at max. radius (kg) | Lift at 3000 mm radius | Lift at 4000 mm radius | Lift at 5000 mm radius | Lift at 6000 mm radius |
|----------------------------|-------------------------|--------------------------|------------------------|------------------------|------------------------|------------------------|
| 4000 | 5644 | 1368 | | | 1538 | |
| 3000 | 6091 | 1218 | | 1759 | 1640 | 1250 |
| 2000 | 6319 | 1149 | 3093 | 2219 | 1644 | 1247 |
| 1000 | 6355 | 1137 | 3450 | 2235 | 1614 | 1238 |
| Ground | 6203 | 1179 | 3441 | 2204 | 1597 | 1235 |

-1000

Rated hydraulic lift capacity Over side, blade up

| Lift point height [H] (mm) | Maximum radius [R] (mm) | Lift at max. radius (kg) | Lift at 3000 mm radius | Lift at 4000 mm radius | Lift at 5000 mm radius | Lift at 6000 mm radius |
|----------------------------|-------------------------|--------------------------|------------------------|------------------------|------------------------|------------------------|
| 4000 | 5644 | 1204 | | | 1477 | |
| 3000 | 6091 | 1061 | | 1759 | 1460 | 1090 |
| 2000 | 6319 | 992 | 3035 | 1977 | 1422 | 1078 |
| 1000 | 6355 | 973 | 2841 | 1890 | 1380 | 1060 |
| Ground | 6203 | 1001 | 2772 | 1835 | 1348 | 1048 |

-1000

Performance

| | |
|---------------------------------------------------------|-----------|
| Digging force, dipperstick (ISO 6015) | 39073 N |
| Digging force, long dipperstick (ISO 6015) | 35315 N |
| Digging force, bucket (ISO 6015) | 55582 N |
| Ground pressure with rubber tracks | 39.20 kPa |
| Ground pressure with steel tracks | 39.80 kPa |
| Ground pressure with long dipperstick and rubber tracks | 39.30 kPa |
| Ground pressure with long dipperstick and steel tracks | 40.00 kPa |

Cycle Times

| | |
|--------------------------|---------|
| Boom raise time | 4.1 s |
| Boom lower time | 4.9 s |
| Bucket curl time | 2.3 s |
| Bucket dump time | 3.1 s |
| Dipperstick retract time | 3.8 s |
| Dipperstick extend time | 3.9 s |
| Boom swing left time | 6.5 s |
| Boom swing right time | 5.9 s |
| Blade raise time | 2.8 s |
| Blade lower time | 2.3 s |
| Slew rate | 9.0 RPM |

Weights

| | |
|---------------------------------------------------------------------------------------------------------------|---------|
| Operating weight with ROPS HVAC cab, rubber tracks, counterweight, standard bucket 600 mm (223 kg) (SAE J732) | 8919 kg |
| Additional weight for steel tracks | 16 kg |
| Additional weight for segmented tracks | 74 kg |
| Additional weight for long dipperstick | 37 kg |
| Additional weight for counter weight | 407 kg |

Engine

| | |
|-------------------------------|---------------------------------------------------|
| Make / model | Bobcat D24 - 2.4L, 97/68 EC Stage V, Turbocharged |
| Fuel | Ultra Low Sulfur Diesel |
| Cooling | Liquid, forced circulation |
| Maximum NET power (ISO 9249) | 48.5 kW |
| Maximum governed speed | 2100.0 RPM |
| High idle speed | 2100.0 RPM |
| Low idle speed | 1200.0 RPM |
| Maximum NET torque (ISO 9249) | 248.0 Nm |

| | |
|-----------------------|-------------------------------------|
| Number of cylinders | 4 |
| Displacement | 2392 cm ³ |
| Bore | 90.0 mm |
| Stroke | 94.0 mm |
| Air filter | Dual dry replacement paper elements |
| Ignition | Diesel-compression |
| Starting aid | Intake air heater |
| Crankcase ventilation | Closed breathing |
| Glow plug resistance | |
| Lubrication | Forced lubrication/cartridge type |

Electrical

| | |
|-------------------|----------------------------------------------------------------------------------------------------------|
| Alternator | 12 Volts 90 Amps, open frame with internal regulator |
| Battery | 12 Volts negative ground, cold cranking current 1000 Amps at -18°C, 186 min. reserve capacity at 25 Amps |
| LED Lights (Each) | 20 Watts / 1800 Lumens |
| Starter | 12 Volt 2.0 kW reduction drive |

Hydraulic System

| | |
|----------------------------------------------------------------|-----------------------------------------------------------------------------------------------------------------------|
| Pump type | Engine driven, variable displacement piston pump with pressure-compensating, load-sensing, and torque-limiter control |
| Pump capacity | 149.00 L/min |
| System relief pressure for slew circuit | 215.70 bar |
| System relief pressure for blade circuit | 380.00 bar |
| System relief pressure for implement circuits | 295.00 bar |
| System relief pressure for auxiliary circuits | 210.00 bar |
| Port relief pressure for boom, bucket and dipperstick circuits | 340.00 bar |
| Offset port relief, base end and rod end | 380.00 bar |
| Control valve | 9-spool or 10-spool, closed centre, individually compensated |
| Hydraulic filter | Full-flow replaceable — 16 µm synthetic media element |
| Fluid lines | SAE standard tubelines, hoses, and fittings |
| Auxiliary (AUX1) flow | 95.00 L/min |
| Auxiliary (AUX2) flow | 62.00 L/min |

Hydraulic Cylinders

| | |
|-----------------------------|----------------------------|
| Boom cylinder | Cushion up |
| Boom cylinder bore | 115.0 mm |
| Boom cylinder rod | 70.0 mm |
| Boom cylinder stroke | 775.0 mm |
| Dipperstick cylinder | Cushion retract and extend |
| Dipperstick cylinder bore | 100.0 mm |
| Dipperstick cylinder rod | 65.0 mm |
| Dipperstick cylinder stroke | 838.0 mm |
| Bucket cylinder | No cushion |
| Bucket cylinder bore | 90.0 mm |
| Bucket cylinder rod | 60.0 mm |
| Bucket cylinder stroke | 690.0 mm |
| Boom swing cylinder | No cushion |

| | |
|----------------------------|------------|
| Boom swing cylinder bore | 101.6 mm |
| Boom swing cylinder rod | 57.2 mm |
| Boom swing cylinder stroke | 697.2 mm |
| Blade cylinder | No cushion |
| Blade cylinder bore | 125.0 mm |
| Blade cylinder rod | 70.0 mm |
| Blade cylinder stroke | 199.0 mm |

Buckets

| Width (mm) | Weight (kg) | Struck capacity (m ³) | Heaped capacity (m ³) |
|------------|-------------|-----------------------------------|-----------------------------------|
| 400 | 176 | - | 0.147 |
| 500 | 200 | - | 0.197 |
| 600 | 222 | - | 0.249 |
| 700 | 241 | - | 0.301 |
| 800 | 264 | - | 0.354 |
| 900 | 283 | - | 0.408 |
| 1000 | 306 | - | 0.461 |
| 1500 | 216 | 0.350 | 0.500 |
| 1800 | 248 | 0.420 | 0.600 |

Slew System

| | |
|-------------------|--------------------------------------------------------|
| Boom swing, left | 64.0° |
| Boom swing, right | 61.0° |
| Slew circle | Single row shear-type ball bearings with internal gear |
| Slew drive | Axial piston connected to a planetary drive |

Drive System

| | |
|-----------------|-------------------------------------------------------------------|
| Travel motor | Each track is driven by a dual speed hydraulic axial piston motor |
| Drive reduction | Two-stage planetary gear reduction 50.579:1 |

Traction

| | |
|----------------------------------|-----------------------------------------------------------------------------------|
| Track width | 450.0 mm |
| Track adjusters | Grease type with shock absorbing recoil springs |
| Track type, standard | Rubber |
| Track type, optional | Steel, Segmented |
| Travel speed, low range | 2.5 km/h |
| Travel speed, high range | 4.4 km/h |
| Undercarriage | Crawler-Tractor design, sealed track rollers with box-section track roller frame. |
| Number of track rollers per side | 1 top, 5 bottom |
| Gradeability | 30.0° |

Brakes

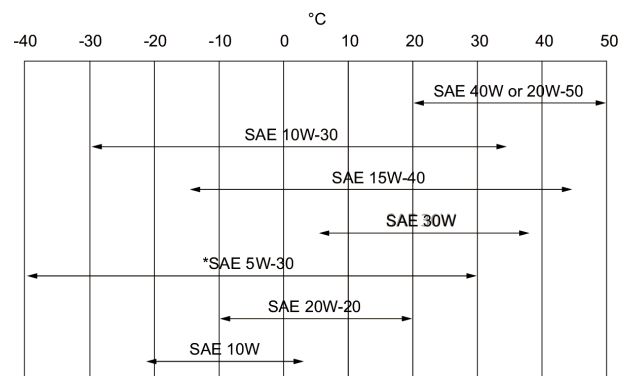
| | |
|--------------|----------------------------------------|
| Slew brake | Spring applied, hydraulically released |
| Travel brake | Hydraulic lock on motor |

Fluid Capacities

| | |
|------------------------------------|----------|
| Cooling system | 9.50 L |
| Engine lubrication plus oil filter | 9.80 L |
| Fuel reservoir | 116.00 L |
| Hydraulic reservoir | 21.40 L |
| Hydraulic system | 81.40 L |
| Final drive case (each) | 1.30 L |

Fluid Specifications

| | |
|----------------|------------------------------------------------------------------------------------------------------------------------------------------------------------------------|
| Engine coolant | Propylene glycol/water mix (53% - 47%) with freeze protection to -37°C 5 L can - 6904844A, 25 L container - 6904844B, 209 L drum - 6904844C, 1000 L tank - 6904844D |
| Engine oil | Oil must meet API Service Classification of CD, CE, CF4, CG4, or better. Recommended SAE viscosity number for anticipated temperature range. |



| | |
|-----------------|-----------------------------------------------------------------------------------------------------------------------------------------------------------------------|
| Hydraulic fluid | Bobcat Superior SH, 5 L can - 6904842A, 25 L container - 6904842B, 209 L drum - 6904842C, 1000 L tank - 6904842D Motor oil is not an acceptable alternative fluid. |
|-----------------|-----------------------------------------------------------------------------------------------------------------------------------------------------------------------|

Controls

| | |
|---------------------------------------------------|------------------------------------------------------------------------------------------------------------------|
| Engine | Hand dial on the right hand side. Electronically controlled Engine. Auto idle system to reduce fuel consumption. |
| Starting | Key type starter switch and shutdown. |
| Blade | Right hand lever. |
| Boom swing | Electric switch in left joystick |
| Hydraulics | Two joysticks control boom, bucket, dipperstick and upper structure slew. |
| Auxiliary hydraulics | Electric switch in right joystick (left joystick for second auxiliary) |
| Upper structure slew lock for holding and service | Hydraulic lock on motor. |
| Steering | Direction and speed controlled by two hand levers or two foot pedals. |

Instrumentation

- Charging system indicator
- Engine oil pressure indicator
- Engine temperature gauge
- Fuel gauge
- Hour meter
- Hour meter, resettable
- Hydraulic system indicator
- Tachometer
- Engine throttle dial
- Auto idle switch
- A/C control switches
- Windshield wiper/washer switch
- Two-speed range indicator
- Work light indicator
- Work light switch
- Battery kill switch

Serviceability

Fuel filler is external and has key lock for vandal proofing

Access is available to the following through the rear tailgate or side access hood:

- Air cleaner with indicator
- Battery
- Cooling system (engine oil and hydraulic oil coolers) for cleaning
- Control valve
- Engine oil and fuel filters
- Engine oil level
- Fuel filler
- Hydraulic valve bank
- Starter
- Sight gauges for hydraulic level

Central grease point for swing bearing, swing pinion, and offset cylinder

Tailgate and access cover have locks for vandal-proofing.

Easy access to all grease points.

Standard Features

- 2200 mm dozer blade
- 450mm rubber track
- 5 inch display
- Air conditioning (Cab with HVAC)
- Auto idle
- Adjustable double acting auxiliary hydraulic (AUX1) with QC on ARM
- Battery disconnect switch
- Blade float feature
- Boom & arm safety valves with overload warning
- Clamp ready
- Control console locks
- Cupholders
- Dual Direction Detent
- Dual flanged rollers
- Engine/hydraulic monitor with shutdown

- Fuel refill pump with auto shut-off
- One-piece ergonomic pedals
- Full fuel warning alarm
- Horn
- Hydraulic coupler lines (AUX5)
- Hydraulic joystick controls
- Proportional fingertip auxiliary and boom swing offset hydraulic control
- Retractable seat belt
- Selectable auxiliary hydraulic flow
- Deluxe textile suspension seat with head rest
- Storage compartment
- Tool box
- TOPS/ROPS/FOPS cab * 1
- Two-speed travel with Auto shift
- Upper structure tie down
- LED Work lights front
- Warranty: 24 months, 2000 hours (whichever occurs first)

Options

- Auto Air conditioning (Cab with Auto HVAC)
- 7" touch screen
- Long dipperstick
- Add-on counterweight
- 2nd Auxiliary hydraulics
- Case drain line
- Clamp with AUX1 valve
- Tilt coupler lines (AUX4)
- Heated Deluxe textile suspension seat with head rest
- AM/FM MP3 stereo radio with Bluetooth
- FOGS kit (Overhead guard)
- Travel motion alarm
- Beacon kit
- Left and right mirror kit
- Fire extinguisher
- Special applications kit (Front windscreen protection)
- Bucket valves (AUX3) kit
- Depth Check kit
- Keyless ignition kit
- Keyless ignition Deluxe
- Add-on counterweight kit
- Case drain line kit
- Direct to Tank kit
- Clamp with AUX1 valve kit
- Blade load holding valve
- Geith pin-on hydraulic coupler
- 450 mm Segmented tracks kit
- Rear view camera kit
- Fire extinguisher kit
- 50 mm Steel tracks

1. Roll Over Protective Structure (ROPS) – Meets requirements of ISO 3471. Tip Over Protective Structure (TOPS) – Meets requirements of ISO 12117. Falling Object Protective Structure (FOPS) - Meets requirements of ISO 3449.

Environmental

| | |
|------------------------------------------|-----------------------|
| Noise level LpA(EU Directive 2006/42/EC) | 77 dB(A) |
| Noise level LWA(EU Directive 2000/14/EC) | 96 dB(A) |
| Whole body vibration (ISO 2631–1) | 0.20 ms ⁻² |
| Hand-arm vibration (ISO 5349–1) | 0.41 ms ⁻² |

Safety

| | |
|------------------------------------|-------------------------------------------------------------------------------------------------------------------------------------------------------------------------------------------------------------------------------|
| Retractable seat belt, standard | Should always be worn when operating the excavator |
| Operator cab, standard | Closed cab. Meets SAE J1040 for Roll Over Protection Structure (ROPS) and ISO 12117 for Tip Over Protective Structure (TOPS). An optional top Falling Object Guard Structure (FOGS) meeting ISO 10262 Level 1 * is available. |
| Grab handles, standard | Should always be used when entering/exiting excavator. |
| Safety tread, standard | Slip resistant tread on cab threshold to be used when entering/exiting excavator. |
| Front working lights, standard | Use for indoor and low light operation. |
| Control lockout, standard | Operator console locks out work group and travel functions when in the upright position. |
| Upper carriage slew lock, standard | A lock pin is provided to lock the upper structure to the undercarriage for transport. |
| Pedal lock, standard | For use when required |
| Travel motion alarm, optional | |
| Special applications kit, optional | |
| Operator's handbook, standard | Restricts objects and material from entering cab openings. Operator manual providing operational instructions and warning decals with pictorial and international symbols. |