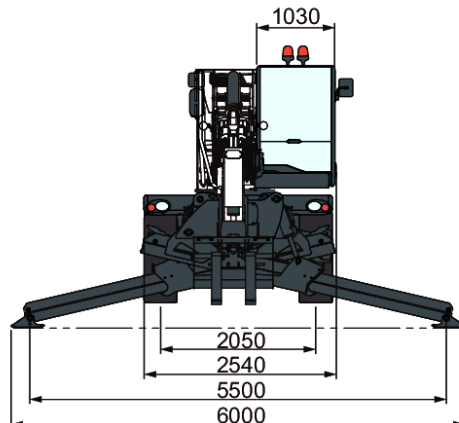
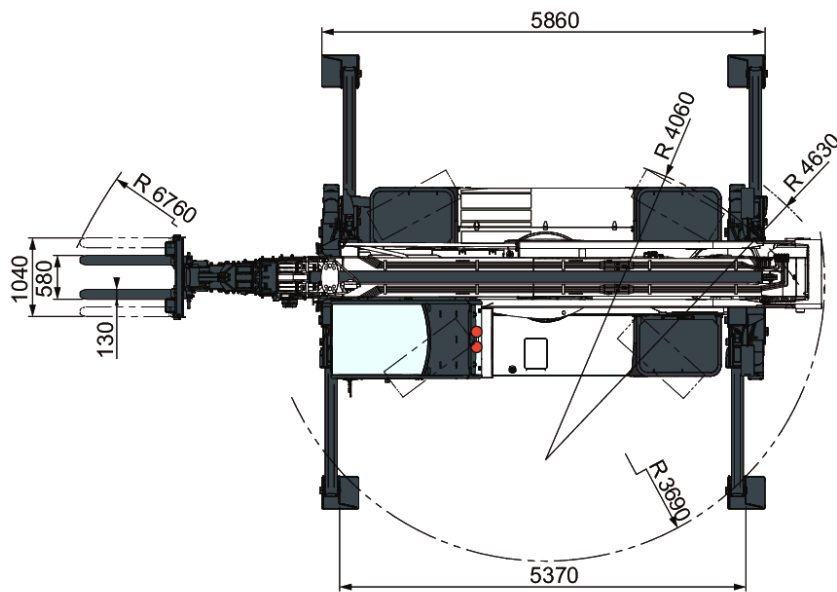
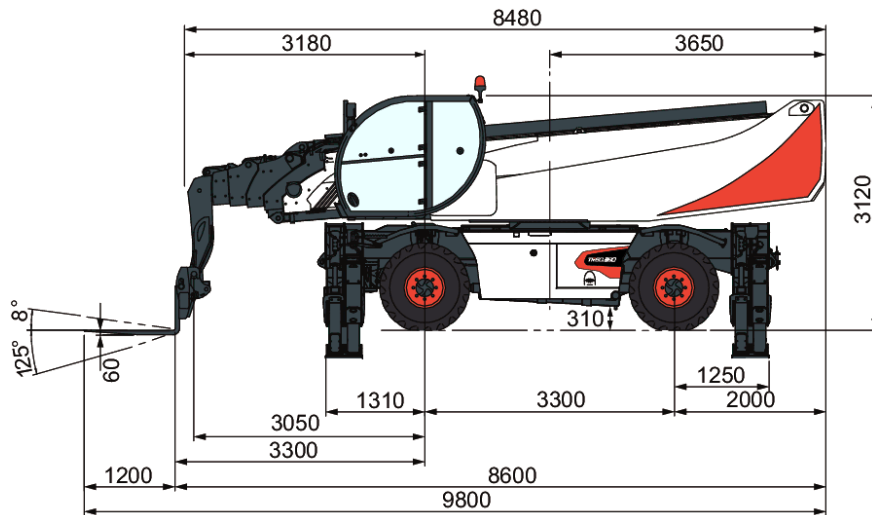


TR60-390 V Rotary Telescopic Handler

Telescopic
Specifications

Dimensions

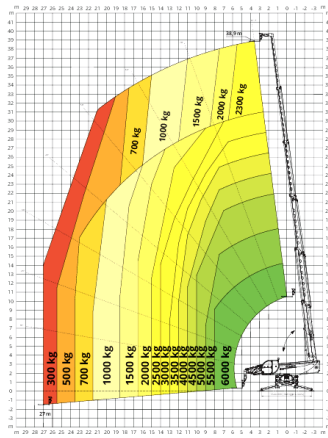


TR60-390 V Rotary Telescopic Handler

Telescopic
Specifications

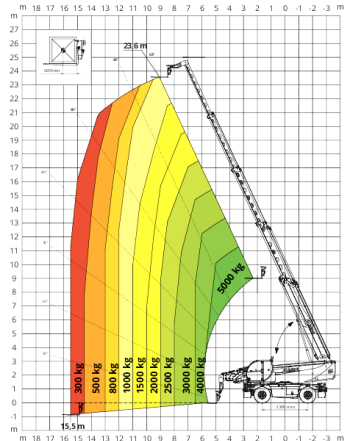
Load Charts

360° LOAD CHART
ON FULLY EXTENDED STABILIZERS

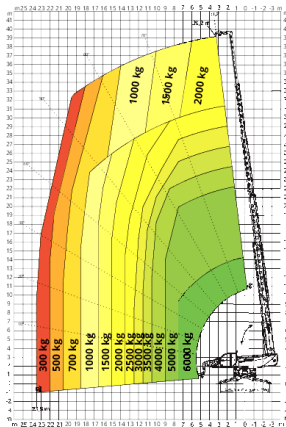


HOOK 6,000 kg

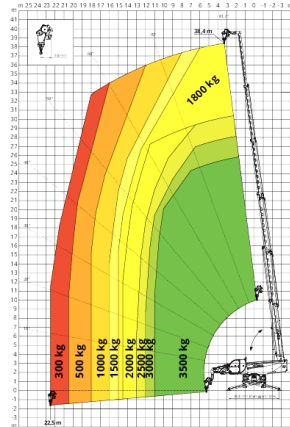
FRONTAL LOAD CHART ON TYRES



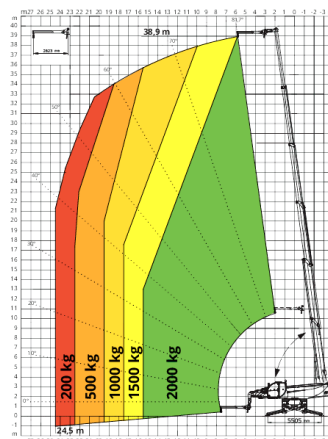
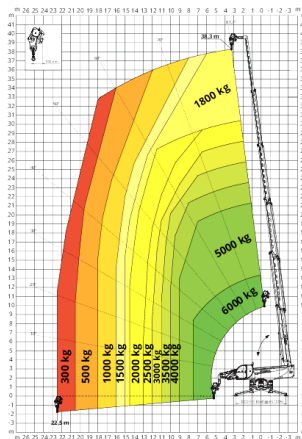
WINCH 3,500 kg



WINCH 6,000 kg



JIB WITH WINCH 2,000 kg

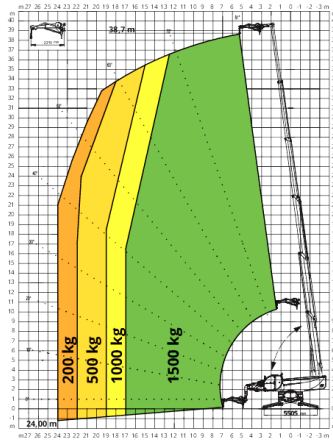


TR60-390 V Rotary Telescopic Handler

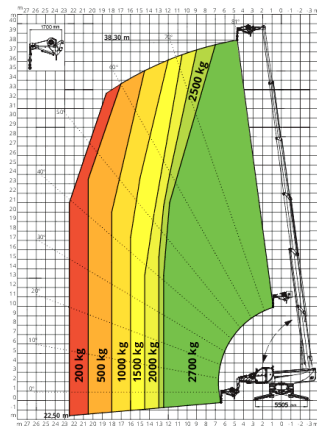
Telescopic Specifications

Load Charts

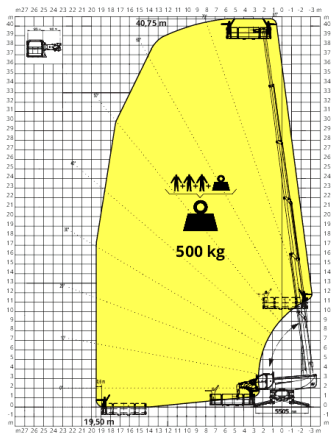
JIB WITH WINCH 1,500 kg



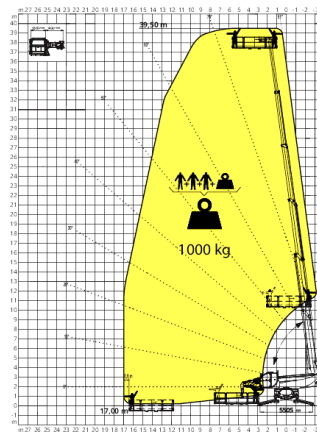
JIB WITH WINCH 2,700 kg



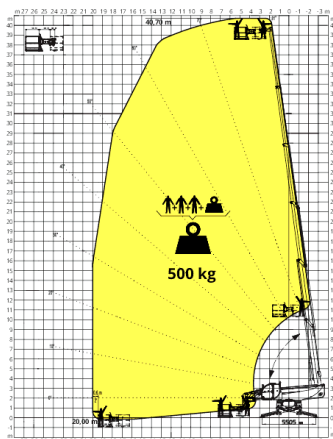
ROTATING EXTENDABLE BASKET 500 kg



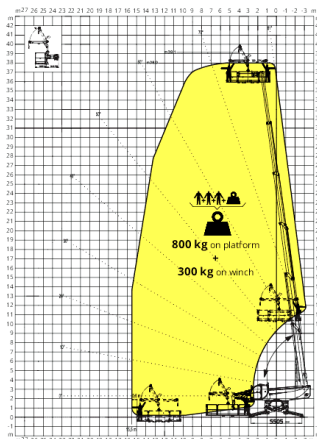
ROTATING EXTENDABLE BASKET 1,000 kg



ROTATING NON-EXTENDABLE BASKET 500 kg



BASKET 6.5 m 500 kg WITH WINCH 300 kg



TR60-390 V Rotary Telescopic Handler

Telescopic
Specifications

Performance

Rated capacity	6,000 kg @ 600 mm Load Center
Max. lifting height (stabilisers fully extended)	39 m
Capacity at max. height (stabilisers fully extended)	2300 kg
Max. reach (stabilisers fully extended)	27 m
Capacity at max. reach (stabilisers fully extended)	300 kg
Frame levelling	+/- 8°
Max. speed	40.0 km/h
Turret Rotation	360° (Continuous)

Stabilisers

Type	Telescopic scissors
Stabilization system	Ground pressure detection. Automatic levelling. Lifting capacity adjusted in proportion to stabiliser extension
Stabilization area (stabilisers fully extended)	5.86 x 6.0 m

Weights

Weight (unladen)	24000 kg
Front axle weight unladen (boom retracted and lowered)	12000 kg
Rear axle weight unladen (boom retracted and lowered)	12000 kg

Engine

Make / Model	Volvo TAD 582 VE
Compliance	Stage V
Fuel	Diesel
Cooling	liquid - Intercooler
Rated power (ISO 14396)	175 kW (238 hp) @ 2,300 rpm
Maximum torque	925 Nm @ 1,380 rpm
Number of cylinders	4.0
Displacement	5.13 L

Hydraulic System

Pump type	Load Sensing pump
Pump capacity	124.00 L/min
Output at the auxiliary line	65.00 L/min
Relief valve pressure setting	350.00 bar
Control valve (boom and turret)	Electro-proportional with flow sharing

Drive System

Transmission	Hydrostatic with electronic regulation / 4 wheel drive
Main drive	Electronically controlled variable displacement pump. Variable displacement motor. 2-speed gear box

TR60-390 V Rotary Telescopic Handler

Telescopic
Specifications

Traction

Standard tyres	445/65 R22,5
Max. speed at Low range (turtle)	11.0 km/h
Max. speed at High range (rabbit)	40.0 km/h
Towing force	152.00 kN
Gradeability	65.00 %

Axles and brakes

Axle type	Oil-immersed axles with planetary gears
Rear axle	Oscillating and steering with hydraulic locking
Front axle	Oscillating and steering with levelling +/-8°
Service brake	Hydraulically operated wet multi-disk brakes on each axle
Parking brake	Hydraulic with negative action
Emergency brake	Passive brake with automatic actuation

Steering

Steering modes	3 steering modes with semi-automatic wheel realignment. 2 wheel steering / 4 wheel steering / Crab-steer
External turning radius (with forks)	4 m

Fluid Capacities

Fuel tank	270.00 L
Adblue	40.00 L
Hydraulic reservoir	195.00 L
Engine oil	16.00 L
Cooling system	40.00 L

Environmental

Operator noise level (LpA) (En 12053)	72 dB(A)
Level of acoustic power (LWA)	108 dB(A)
Whole body vibration (ISO 2631-1):	0.58 ms ⁻²
Hand-arm vibration (ISO 5349-1)	0.85 ms ⁻²

Standards

Standard compliance	EN 1459-2: slewing variable-reach trucks. EN 13000: hydraulic cranes. EN 280: mobile elevating work platforms. FOPS/ROPS cabin. EU 2016/1628: engine emissions
---------------------	--

Standard Features

Standard Features

TR60-390 V Rotary Telescopic Handler

Telescopic Specifications

- Frame and Telescopic boom:
 - Quick fit carriage with manual attachment lock
 - Pallet Fork Frame Floating, 1,3m wide, Forks included
 - Auxiliary hydraulic line on boom head and return line to hydraulic tank
 - Automatic RFID tools recognition system
 - Man platform ready and electric emergency pump
 - Winch ready
 - Heavy duty axles with epicyclic reduction gears, oil immerse brakes
 - Rear axles oscillating and steering with hydraulic locking
 - Towing hook
 - Frame leveling +/-8°
 - Complete road lights (front & rear)
 - Right and left side mirrors
 - *****
- Cabin and main functions:
 - Cabin with full glass window door
 - Full tinted glass
 - Pressurized Cab, 100% air filtration
 - ROPS/FOPS operator cabin
 - Automatic parking brake
 - Roof window wiper
 - Front wipers with washer
 - Rotating beacon
 - Adjustable steering column
 - Heating, demisting and ventilation
 - Air conditioning (HVAC)
 - Back-up alarm
 - Bluetooth radio, microphone & loudspeakers
 - Mechanical Suspension Seat
 - 10" touch screen
 - Jog shuttle
 - Two multifunctional joysticks with proportional controls and forward/reverse drive
 - Load moment control system with dynamic load chart on touchscreen display
 - Auto idle
 - Autoleveling system on stabilisers
 - 3 steering modes (2WS /4WS / CRAB) with semi-automatic wheel realignment
 - Rear axle lock indicator
 - Front and rear wheels alignment indicator
 - 24V Electric socket
 - CAN Bus technology with auto-diagnostic system
 - *****

TR60-390 V Rotary Telescopic Handler

Telescopic
Specifications

- Drive/Engine/Hydraulic:
 - Load Sensing piston pump 124 l/min at 350 bar
 - Electro proportional main valve with flow sharing
 - High precision slewing drive
 - Hydrostatic transmission with electronically controlled variable displacement pump Variable displacement motor 2-speed gear box (turtle/rabbit)
 - 40 km/h max drive speed
 - Standard tyres - set of 4 x 445/65 R22,5"
 - Turbo-charged engine - Volvo TAD 582 VE Stage V - 218hp / 925Nm
 - Battery Disconnection (inside engine compartment)
 - *****
 - 2 year warranty or 2000 hours (refer to the Bobcat standard warranty policy for terms and conditions)
 - Telemetry system

GET **A QUOTE**

Simply click **the button** or scan **the QR code** below to access our quote request form.

We will contact you as soon as possible.
Thank you!



REQUEST QUOTE >