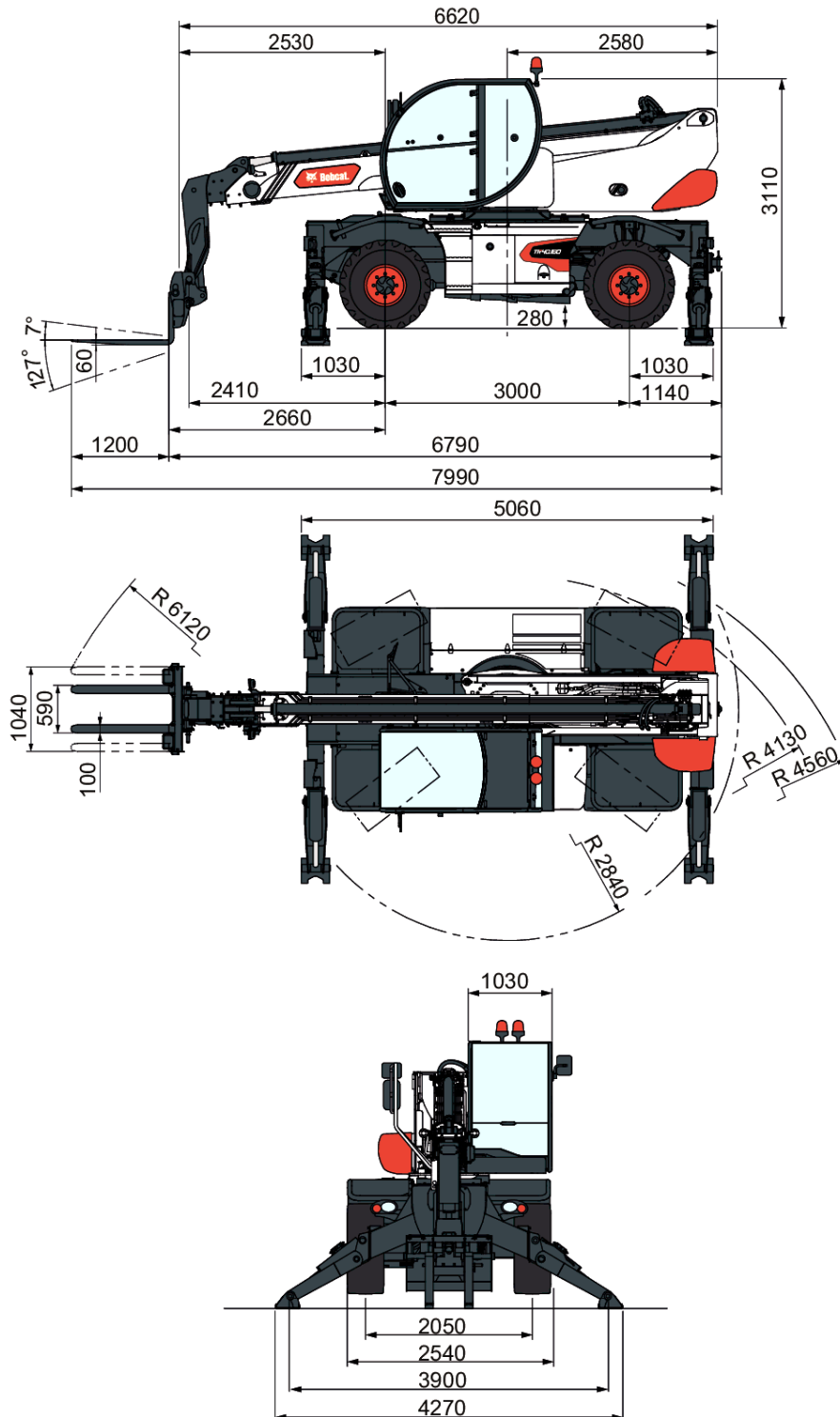


# TR40-180 V Rotary Telescopic Handler

Telescopic  
Specifications

## Dimensions



B5AZ 11001 — B5AZ 99999 •

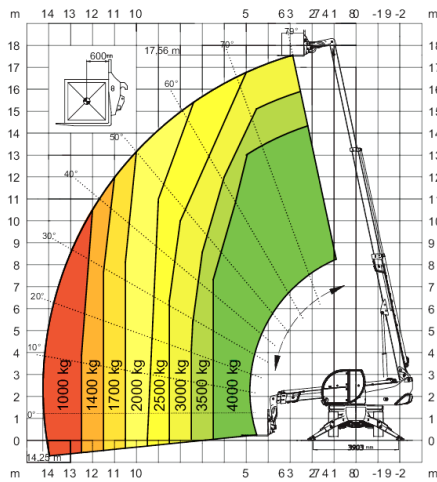
Specifications are subject to change without notice - Pictures of Bobcat units may show other than standard equipment

# TR40-180 V Rotary Telescopic Handler

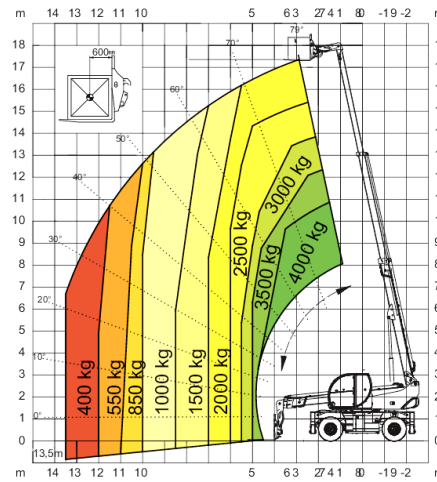
Telescopic Specifications

## Load Charts

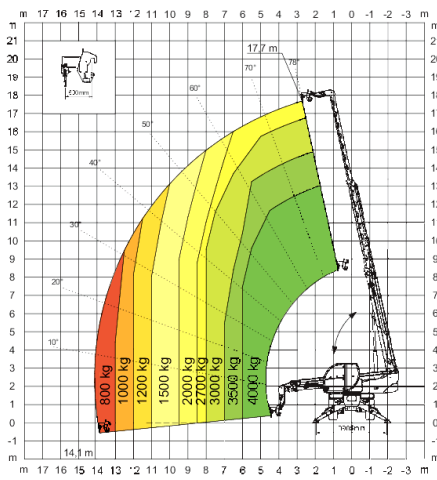
**360° LOAD CHART ON FULLY EXTENDED STABILIZERS**



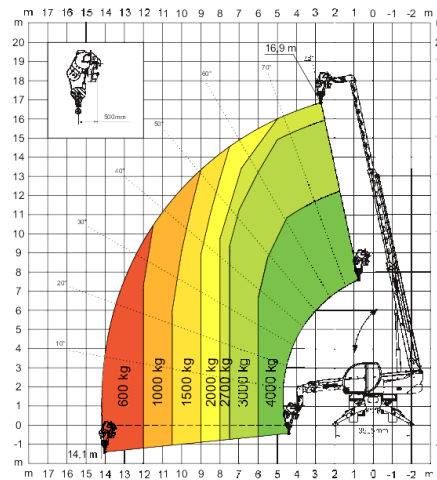
**FRONTAL LOAD CHART ON TYRES**



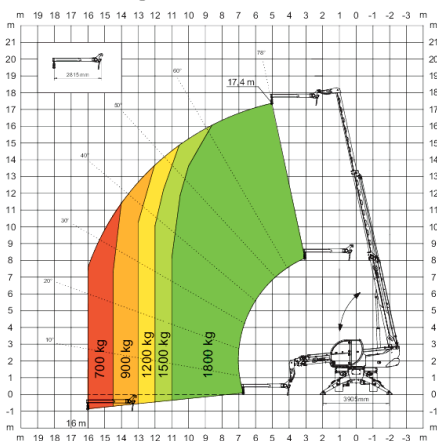
**HOOK 4,000 kg**



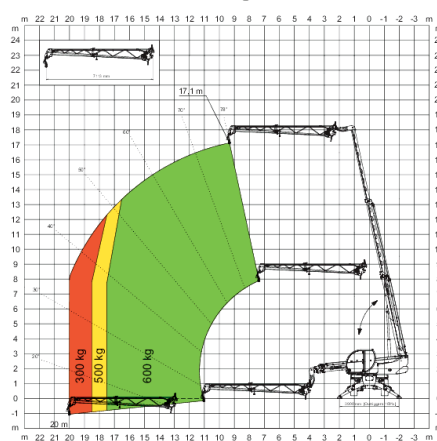
**WINCH 4,000 kg**



**JIB 1,800 kg**



**JIB WITH WINCH 600 kg**

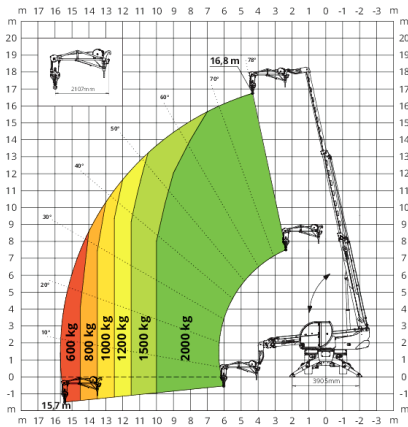


# TR40-180 V Rotary Telescopic Handler

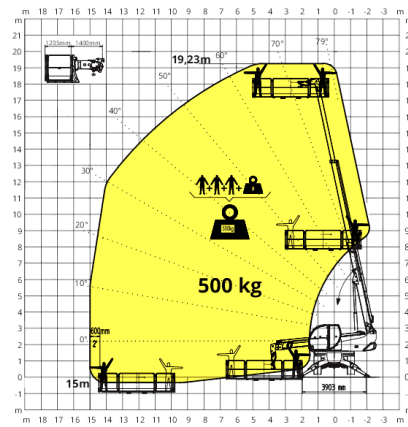
## Telescopic Specifications

### Load Charts

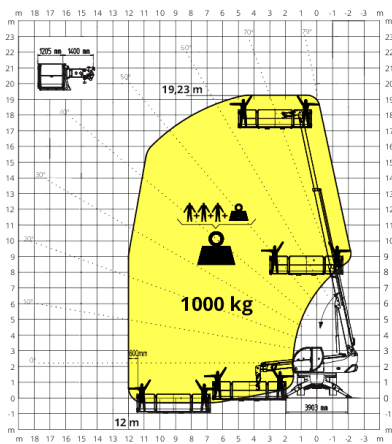
JIB WITH WINCH 2,000 kg



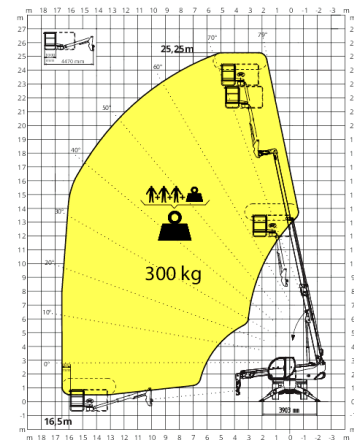
ROTATING EXTENDABLE BASKET 500 kg



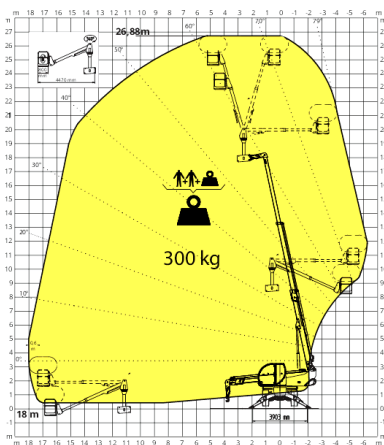
ROTATING EXTENDABLE BASKET 1,000 kg



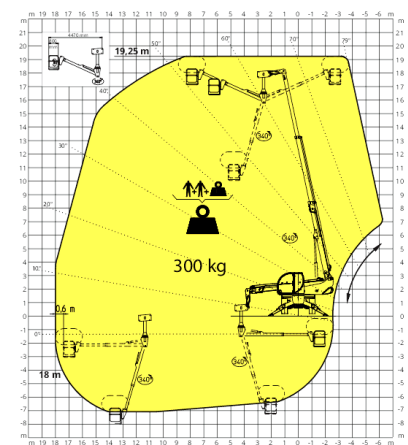
TELESCOPIC PIVOTING BASKET WITH 180° ROTATION



TELESCOPIC PIVOTING OVER-UNDER BASKET WITH 340° ROTATION



TELESCOPIC PIVOTING OVER-UNDER BASKET WITH 340° ROTATION



# TR40-180 V Rotary Telescopic Handler

Telescopic  
Specifications

## Performance

Rated capacity	4,000 kg @ 500 mm Load Center
Max. lifting height (stabilisers fully extended)	18 m
Capacity at max. height (stabilisers fully extended)	3000 kg
Max. reach (stabilisers fully extended)	14 m
Capacity at max. reach (stabilisers fully extended)	1000 kg
Frame levelling	N/A
Max. speed	25.0 km/h
Turret Rotation	+/-200° (limited)

## Stabilisers

Type	Pivoting stabilisers
Stabilization system	Ground pressure detection. Automatic levelling.
Stabilization area (stabilisers fully extended)	5.06 x 4.27 m

## Weights

Weight (unladen)	14400 kg
Front axle weight unladen (boom retracted and lowered)	6300 kg
Rear axle weight unladen (boom retracted and lowered)	8100 kg

## Engine

Make / Model	DEUTZ TCD 3.6 L4
Compliance	stage V
Fuel	Diesel
Cooling	liquid - Intercooler
Rated power (ISO 14396)	55 kW (75 hp) @ 2,200 rpm
Maximum torque	405 Nm @ 1,300 rpm
Number of cylinders	4.0
Displacement	3.60 L

## Hydraulic System

Pump capacity	70.00 L/min
Output at the auxiliary line	65.00 L/min
Relief valve pressure setting	270.00 bar
Control valve (boom and turret)	Electro-proportional with flow sharing

## Drive System

Transmission	Hydrostatic with electronic regulation / 4 wheel drive
Main drive	Electronically controlled variable displacement pump. Variable displacement motor. 2-speed gear box

## Traction

Standard tyres	445/65 R19,5
Max. speed at Low range (turtle)	8.5 km/h
Max. speed at High range (rabbit)	25.0 km/h
Towing force	74.00 kN
Gradeability	53.00 %

# TR40-180 V Rotary Telescopic Handler

Telescopic  
Specifications

## Axles and brakes

Axle type	Oil-immersed axles with planetary gears
Rear axle	Oscillating and steering with hydraulic locking
Front axle	steering
Service brake	Hydraulically operated wet multi-disk brakes on each axle
Parking brake	Hydraulic with negative action
Emergency brake	Passive brake with automatic actuation

## Steering

Steering modes	3 steering modes with semi-automatic wheel realignment. 2 wheel steering / 4 wheel steering / Crab-steer
External turning radius (with forks)	4 m

## Fluid Capacities

Fuel tank	175.00 L
Adblue	10.00 L
Hydraulic reservoir	165.00 L
Engine oil	9.00 L
Cooling system	20.00 L

## Environmental

Operator noise level (LpA) (En 12053)	74 dB(A)
Level of acoustic power (LWA)	104 dB(A)
Whole body vibration (ISO 2631-1):	0.42 ms <sup>-2</sup>
Hand-arm vibration (ISO 5349-1)	0.41 ms <sup>-2</sup>

## Standards

Standard compliance	EN 1459-2: slewing variable-reach trucks. EN 13000: hydraulic cranes. EN 280: mobile elevating work platforms. FOPS/ROPS cabin. EU 2016/1628: engine emissions
---------------------	--

## Standard Features

### Standard Features

- Frame and Telescopic boom:
  - Quick fit carriage with manual attachment lock
  - Pallet Fork Frame Floating, 1,3m wide, Forks included
  - Auxiliary hydraulic line on boom head and return line to hydraulic tank
  - Automatic RFID tools recognition system
  - Man platform ready and electric emergency pump
  - Winch ready
  - Heavy duty axles with epicyclic reduction gears, oil immerse brakes
  - Rear axles oscillating and steering with hydraulic locking
  - Towing hook
  - Complete road lights (front & rear)
  - Right and left side mirrors
  - \*\*\*\*\*

## TR40-180 V Rotary Telescopic Handler

Telescopic  
Specifications

- Cabin and main functions:
  - Cabin with full glass window door
  - Full tinted glass
  - Pressurized Cab, 100% air filtration
  - ROPS/FOPS operator cabin
  - Automatic parking brake
  - Roof window wiper
  - Front wipers with washer
  - Rotating beacon
  - Adjustable steering column
  - Heating, demisting and ventilation
  - Back-up alarm
  - Bluetooth radio, microphone & loudspeakers
  - Mechanical Suspension Seat
  - 7" touch screen
  - Jog shuttle
  - Two multifunctional joysticks with proportional controls and forward/reverse drive
  - Load moment control system with dynamic load chart on touchscreen display
  - Auto idle
  - Autoleveling system on stabilisers
  - 3 steering modes (2WS /4WS / CRAB) with semi-automatic wheel realignment
  - Rear axle lock indicator
  - Front and rear wheels alignment indicator
  - 24V Electric socket
  - CAN Bus technology with auto-diagnostic system
  - \*\*\*\*\*
- Drive/Engine/Hydraulic:
  - Gear pump 70 l/min at 270 bar
  - Electro proportional main valve with flow sharing
  - Hydrostatic transmission with electronically controlled variable displacement pump Variable displacement motor 2-speed gear box (turtle/rabbit)
  - 25 km/h max drive speed
  - Standard tyres - set of 4 x 445/65 R19,5"
  - Turbo-charged engine - Deutz TCD 3.6 L4 Stage V - 75hp / 405Nm
  - Battery Disconnection (inside engine compartment)
  - \*\*\*\*\*
  - 2 year warranty or 2000 hours (refer to the Bobcat standard warranty policy for terms and conditions)
  - Telemetry system

# GET **A QUOTE**

Simply click **the button** or scan **the QR code** below to access our quote request form.

We will contact you as soon as possible.  
Thank you!



**REQUEST QUOTE** >