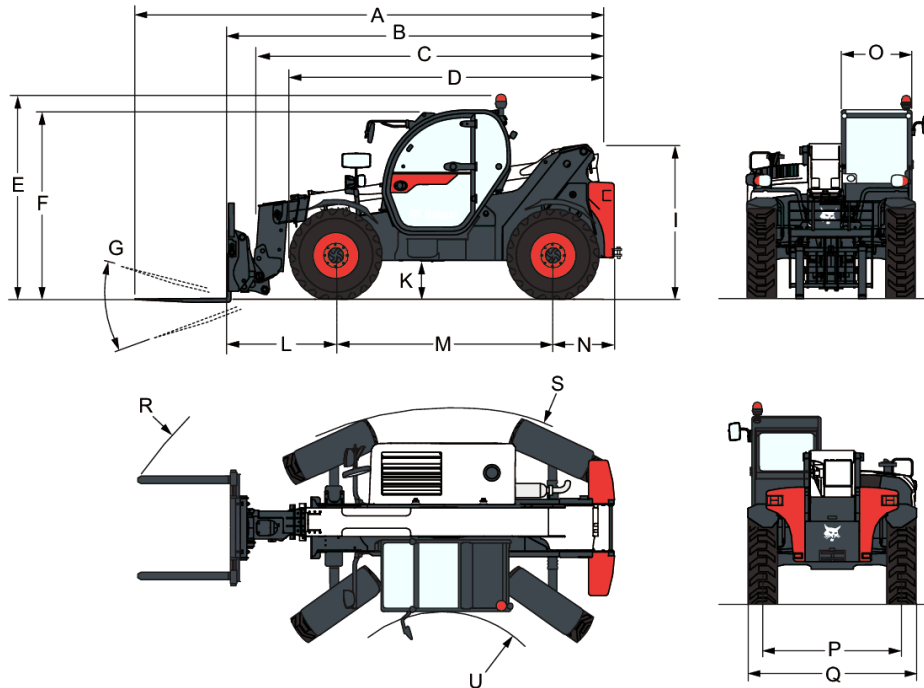
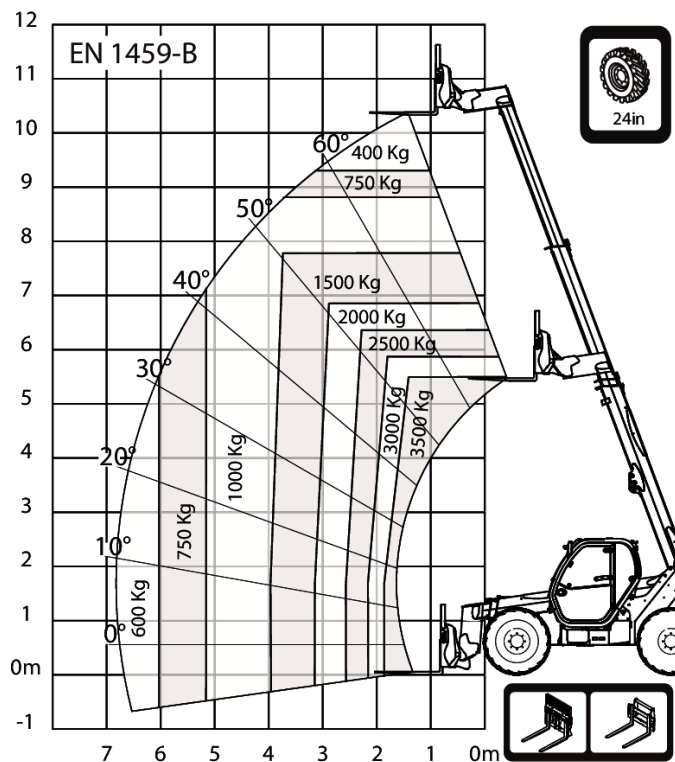
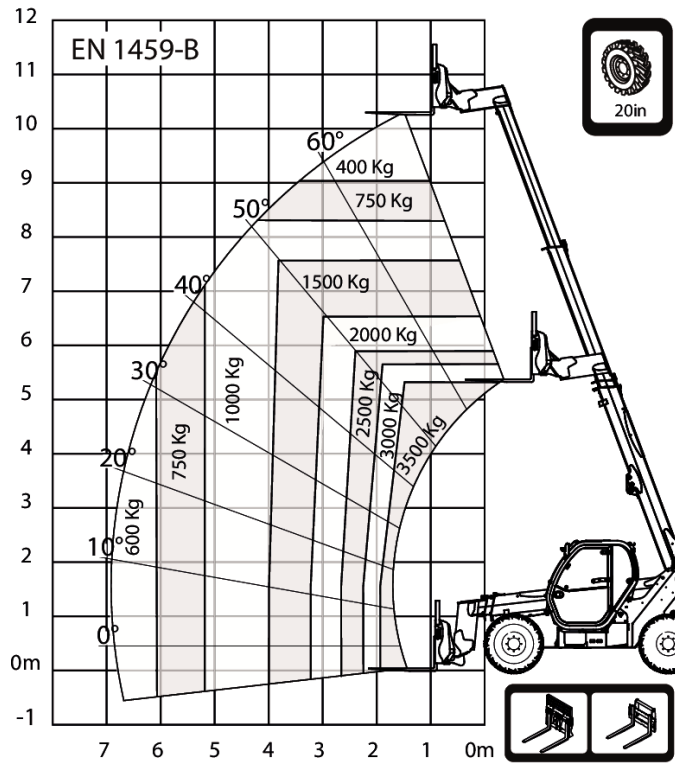
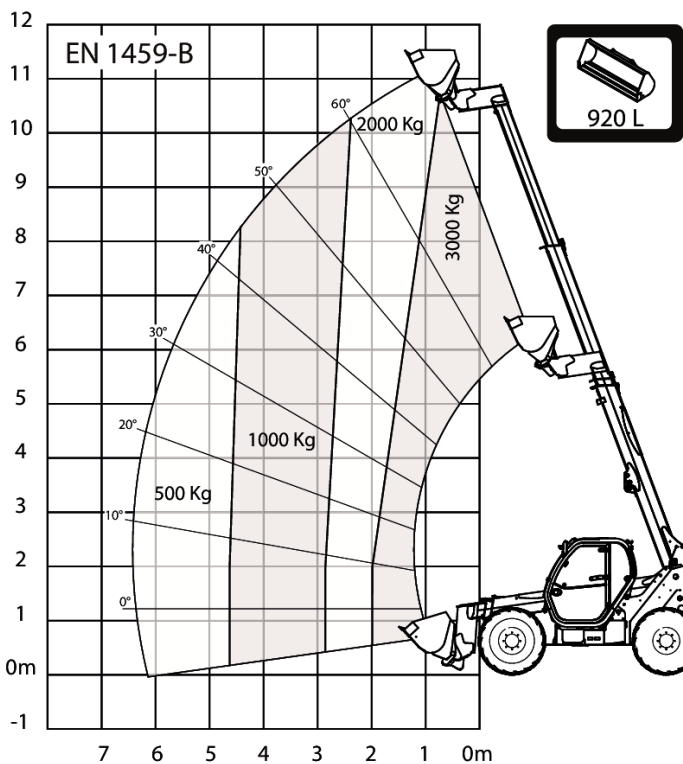
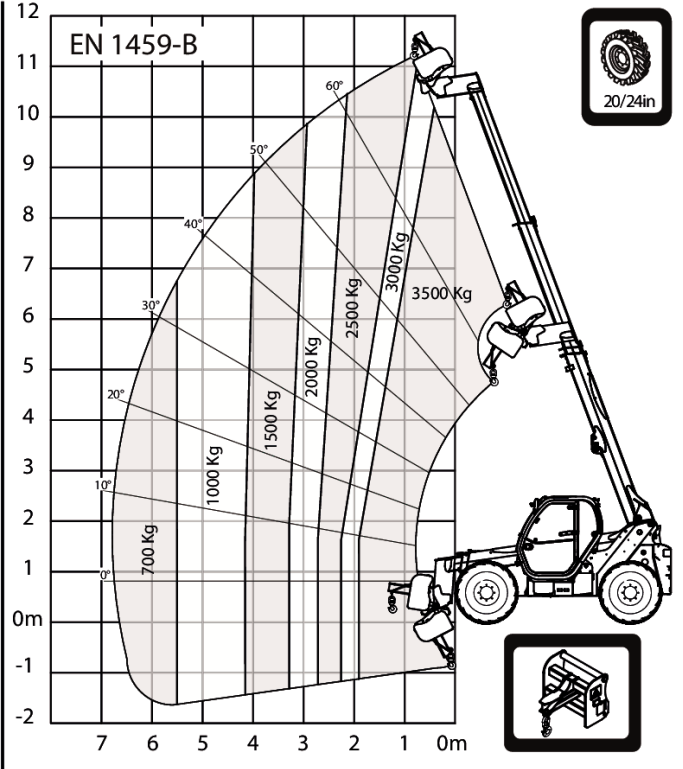
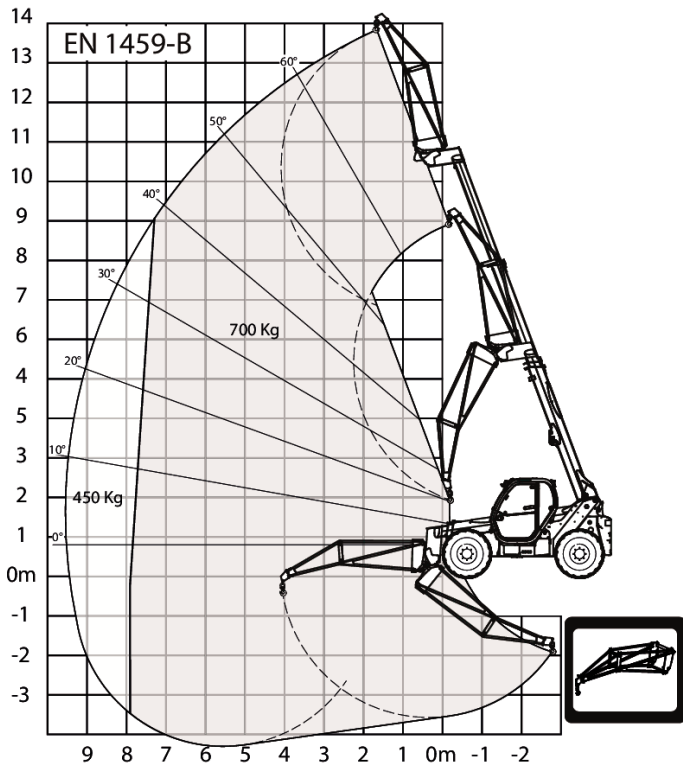


Dimensions



| | |
|--|-----------|
| (A) Overall length (to forks tip) | 6276.0 mm |
| (B) Overall length (to forks face) | 5071.0 mm |
| (C) Overall length (to headstock pin) | 4936.0 mm |
| (D) Overall length (to front tyres / Stabilizers (when equipped)) | 4192.0 mm |
| (D*) Overall length (to front tyres 24" / Stabilizers (when equipped)) | 4283.0 mm |
| (E) Overall height (with rotating beacon) | 2584.0 mm |
| (E*) Overall height with 24" tyres (with rotating beacon) | 2669.0 mm |
| (F) Overall height (with roof wiper) | 2430.0 mm |
| (F*) Overall height with 24" tyres (with roof wiper) | 2515.0 mm |
| (I) Height back of the machine | 1941.0 mm |
| (I*) Height back of the machine with 24" tyres | 2026.0 mm |
| (K) Ground clearance | 415.0 mm |
| (K*) Ground clearance with 24" tyres | 500.0 mm |
| (L) Length - Front axle to forks face | 1422.0 mm |
| (M) Wheelbase | 2850.0 mm |
| (N) Length - Rear axle to machine rear | 799.0 mm |
| (O) Operator cab outside width | 930.0 mm |
| (P) Track width | 1862.0 mm |
| (Q) Width over standard tyres | 2264.0 mm |
| (S) External turning radius (at tyres) | 3765.0 mm |
| (U) Internal turning radius (cab) | 1245.0 mm |
| (U*) Internal turning radius with 24" tyres (cab) | 1245.0 mm |
| (R) External turning radius (with forks spaced 1040 mm ext.) | 5025.0 mm |
| (R*) External turning radius with 24" tyres (with forks spaced 1040 mm ext.) | 5025.0 mm |
| (G) Carriage rotation angle | 143.0° |

Lastdiagram


Lastdiagram


Performance

| | |
|---|------------|
| Tilt Breakout force | 7800 daN |
| Dragstång dragkraft (20-tumsdäck) | 5400 daN |
| Dragstång dragkraft (24-tumsdäck) | 4500 daN |
| Max. gradeability (20" tyres) | 33.0° |
| Max. gradeability (24" tyres) | 33.0° |
| Max. gradeability with rated load (20" tyres) | 30.0° |
| Max. gradeability with rated load (24" tyres) | 24.0° |
| Rated capacity | 3500 kg |
| Capacity (at max. height on tyres) | 2500 kg |
| Kapacitet vid max räckvidd (20-tumsdäck) | 600 kg |
| Kapacitet vid max räckvidd (24-tumsdäck) | 600 kg |
| Lyfthöjd (20-tumsdäck) | 10290.0 mm |
| Lyfthöjd (24-tumsdäck) | 10375.0 mm |
| Max räckvidd (20-tumsdäck) | 6886.0 mm |
| Max räckvidd (24-tumsdäck) | 6795.0 mm |
| Reach at max height on tyres (20" tyres) | 1480.0 mm |
| Reach at max height on tyres (24" tyres) | 1389.0 mm |

Cykeltider

| | |
|-----------------|--------|
| Boom raising | 12.5 s |
| Boom lowering | 7.0 s |
| Boom extension | 13.0 s |
| Boom retraction | 7.0 s |
| Crowding | 5.0 s |
| Dumping | 4.5 s |

Weights

| | |
|---|---------|
| Olastad vikt (20-tumsdäck) | 7080 kg |
| Unladen operating Weight (20" tyres) | 7270 kg |
| Unlade operating Weight on front axle (20" tyres) | 2925 kg |
| Unladen operating Weight on rear axle (20" tyres) | 4345 kg |
| Olastad vikt (24-tumsdäck) | 7180 kg |
| Unladen operating Weight (24" tyres) | 7370 kg |
| Unlade operating Weight on front axle (24" tyres) | 2975 kg |
| Unladen operating Weight on rear axle (24" tyres) | 4395 kg |
| Max ground Pressure on tyres-hard soil | 11.0 |

Engine

| | |
|----------------------------|--------------------|
| Make / Model | Bobcat D34 |
| Fuel | DIESEL |
| Cooling | COOLANT |
| Rated power (ISO 14396) | 55.0 kW |
| Rated speed | 2400.0 RPM |
| Maximum torque at 1400 rpm | 360.0 Nm |
| Number of cylinders | 4.0 |
| Displacement | 3.41 L |
| Bore | 98.0 mm |
| Stroke | 113.0 mm |
| Lubrication | Gear pump pressure |

Crankshaft Ventilation
 Air filter
 Ignition

Close breathing
 Dry replaceable cartridge with safety element
 Diesel compression

Electrical

| | |
|------------|--------|
| Alternator | 140 A |
| Battery | 110.0 |
| Starter | 2.7 kW |

Hydraulic System

| | |
|-------------------------------|---|
| Pump type | Kugghjulspump med LS-ventil |
| Pump capacity | 80.00 L/min |
| Relief valve pressure setting | 250.00 bar |
| Control valve type | Öppen mitt med flödesdelning och teknik för flödeskompensatorer |
| Hydraulic filter specs | Full flow filtration |
| Auxiliary flow front | 65.00 L/min |

Drive system

| | |
|--------------|---------------------------------------|
| Transmission | Hydrostatisk med elektronisk styrning |
| Main Drive | Hydrostatisk motor |

Traction

| | |
|-------------------------------------|----------------------|
| Standard Tyres | 405/70-20 16PR TM R4 |
| Max speed - rabbit mode (24" / 20") | 24 / 20,5 |

Optional Tyres

| |
|--|
| CAMSO 400/80-24 / 20PR TM R4 |
| MICHELIN 400/80-24 162A8 IND TL POWER CL |
| DUNLOP 405/70R24 168A2 152J MPT SPT9 |
| DUNLOP 405/70R20 168A2 152J MPT SPT9 |

Brakes

| | |
|-----------------------------|----------------------|
| Engine Braking | Hydrostatisk |
| Parking and Emergency brake | Passiv broms |
| Service Brake | Oljenedsänkta skivor |

Steering

| | |
|---------------|---|
| Steering Pump | Priority valve on pump |
| Steering Mode | 2 wheel steering / 4 wheel steering / Crab-steering |

Fluid Capacities

| | |
|----------------------------|----------|
| Axles front/rear | 8,2/9,1 |
| Gear box | 0.80 L |
| Cooling system with heater | 14.50 L |
| Engine oil with filter | 12.60 L |
| Fuel tank | 130.00 L |
| Hydraulic tank | 69.00 L |
| Hydraulic system | 121.00 L |

Fluid Specifications

| | |
|------------------------------------|---|
| Coolant | Ethylen Glycol Mix 50:86 |
| Engine Oil | "ACEA E7/9 API CJ-4 or above Viscosity: -30 to 40 °C : SAE 0W30 -20 to 40°C : SAE 5W30 -15 to 40°C : SAE 10W30" |
| Fuel | "Diesel fuel low Sulphur - EN 590 : 2013 -ASTM D975C-15 Grade 1D or 2D S15" |
| Brake Fluid | None. Brakes use hydraulic system pressure |
| Hydraulic Fluid | MS68 |
| Transmission Oil | ELF SF3 / TOTAL DYNATRANS FR |
| Grease for hinges and boom gliders | TOTAL MULTIS EP2 |

Controls

| | |
|---------------------------------------|--|
| Engine | Electronic engine speed governor |
| Starting | Key-type starter switch and shutdown. |
| Front auxiliary | Variable thumbwheel on joystick |
| Boom raising / lowering | Joystick electronic |
| Boom extension /retraction | Variable thumbwheel on joystick |
| Service brake | Pedal-activated wet multi-disk on front axle |
| Secondary brake | Passive brake |
| Parking brake | Passive brake |
| Steering | Proportional hydraulic steering via a conventional steering wheel |
| Speed range and Forward/reverse drive | Switch for hydrostatic motor and switch on joystick or lever for FNR |
| Steering modes | Button and screen for selection |
| Auxiliary pressure release | Standard coupler + pressure release on control valve spool |
| Eco mode | Eco mode switch |
| SHS mode | SHS mode switch |

Instruments

Instruments

- Gauges
 - Engine RPM
 - Total operating hours
 - Job hours
 - Boom angle
 - Vehicle speed
 - Fuel gauge
 - Engine coolant temperature gauge

- Indicators
 - Front and rear wheel alignment status on screen
 - Headlight full beam
 - Headlight low beam
 - Position lights
 - Left and right turn
 - Trailer turn
 - Parking brake
 - Longitudinal stability level
 - Windscreen wipers
 - Work lights
 - Flashing warning light
 - Hazard warning lights
 - Gear Speed choice
 - Hydraulic function lock
 - Rear fog lights
 - Heater fan
 - Hydraulic fluid over-temperature
 - Engine coolant over-temperature
 - Low oil pressure
 - Battery not charging
 - Longitudinal stability alarm

Serviceability

Serviceability

- Access through the side engine cover and access panel:
 - Air cleaner
 - Fuel filter
 - Engine oil filter
 - Engine oil dipstick
 - Starter
 - Alternator
- Access within the cab:
 - Glass washer fluid
 - Fuses, diodes and relays
 - ISL control box

Miljö

| | |
|---------------------------------------|-----------------------|
| Operator noise level (LpA) (EN 12053) | 75 dB(A) |
| Level of acoustic power (LwA) | 104 dB(A) |
| Helkroppsvibration (EN 13059) | 1.30 ms ⁻² |

BE OM **EN OFFERT**

Klicka bara på **knappen** eller skanna **QR-koden** nedan för åtkomst till vårt offertformulär.

Vi kontaktar dig så snart som möjligt. Tack!



BEGÄR OFFERT

