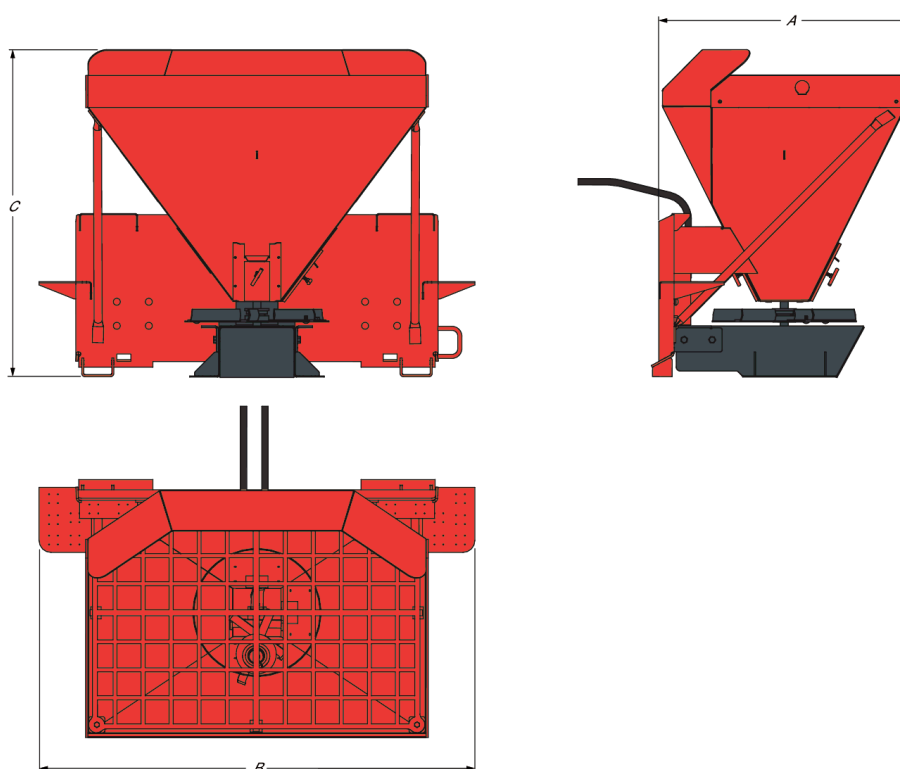


Description

Ideal for spreading in confined areas such as parking lots and pedestrian zones where larger equipment cannot be used. Also excellent for spreading fertilizer and seed.

Dimensions



Description	Item number	Overall length (A) (mm)	Overall width (B) (mm)	Overall height (C) (mm)
Salt & Sand Spreader 8	7157275	-	1120.0	-
Salt & Sand Spreader HS8	7157284	815.0	1382.0	1039.0

Weights

Description	Item number	Operating weight (kg)	Shipping weight (kg)
Salt & Sand Spreader 8	7157275	176.0	176.0
Salt & Sand Spreader HS8	7157284	198.0	198.0

Characteristics and performance

Description	Item number	Hopper capacity struck (m3)	Hopper capacity heaped (m3)	RPM
Salt & Sand Spreader 8	7157275	-	272.0	64

Description	Item number	Hopper capacity struck (m3)	Hopper capacity heaped (m3)	RPM
Salt & Sand Spreader HS8	7157284	0.272	0.33	Hydr.

Main features

- Ideal for spreading salt and sand as well as fertilizers and seeds, enabling you to work all year round
- Three gates allow you to spread across 180° in front of the machine and up to 8m wide
- Self-loading from a stockpile like a conventional bucket with a capacity of 0.33m³
- An agitator in the hopper facilitates the flow of any caked material
- A cab control allows you to regulate the spinner wheel rpm directly from the operator's seat
- Large chunks of sand and salt are filtered through the screen at the top of the hopper for even, consistent flow

Applications

- Snow Removal

Loader Compatibility

Description	Item number	Compatible with loader	Functional requirements
Salt & Sand Spreader HS8	7157284	A770-B, T450E IIIB, T590E IIIB, T590B iT4, T650E iT4, T650B iT4, T770E IV, T770E T3, T770B T3, T870E IV, T870B T3, S450E IIIA, S450B T2, S510E IIIA, S510B, S530E IIIA, S530B, S550E IIIB, S550B iT4, S570B iT4, S590E IIIB, S590B iT4, S630E iT4, S630B iT4, S770E IV, S770E T3, S770B T3, S850E IV, S850E T3, S850B T3, A770E IV, S450 V, S510E V, S530E V, T590E V, T450E V, S66, S76, T66, T76, S510B, S530B, S550E V, S590E V, S630B iT4, S650B iT4	-

Accessories For Loader-Compatible Attachments

Description	Item number	Compatible with attachment	Functional requirements
Sidewalk Kit for Spreader HS8	7157412	7157284 SPREADER, HYD. 8	-

BE OM **EN OFFERT**

Klicka bara på **knappen** eller skanna **QR-koden** nedan för åtkomst till vårt offertformulär.

Vi kontaktar dig så snart som möjligt. Tack!



BEGÄR OFFERT

