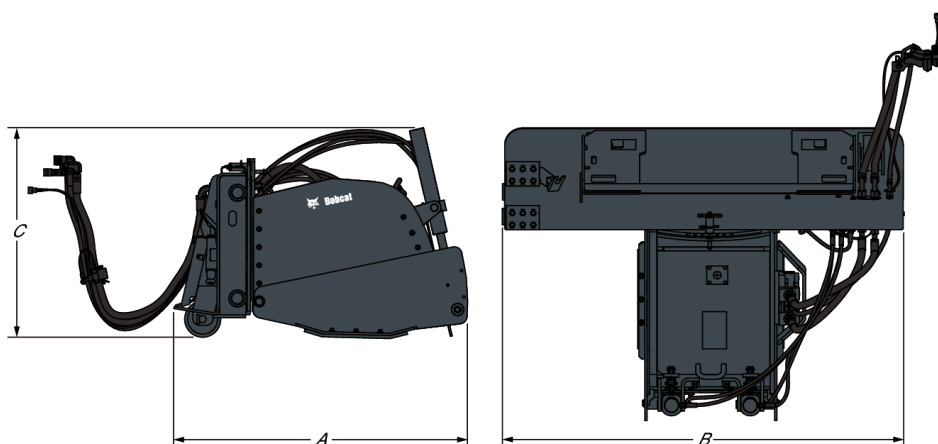


Description

Equipped with direct-drive, high-torque hydraulic motor. These low maintenance attachments efficiently mill asphalt or concrete. Planers feature hydraulic side-shift for planing close to walls and curbs. Consistent depth control and ski depth visible from the operator's seat. Make precise adjustments with fingertip controls.

Dimensions



| Description | Item number | Overall length (A) (mm) | Overall width (B) (mm) | Overall height (C) (mm) |
|---|--------------|-------------------------|------------------------|-------------------------|
| Planer 35 cm (Equipped with 35 cm All Purpose Drum) | PLN14*14AP | - | - | - |
| Planer 46 cm (Equipped with 46 cm Fast Cut Drum) | PLN18*18FC | - | - | - |
| Planer 46 cm (Without Drum) | PLN18*NODRUM | - | - | - |
| Planer 61 cm (Equipped with 61 cm Fast Cut Drum) | PLN24*24FC | - | - | - |
| Planer 61 cm (Without Drum) | PLN24*NODRUM | - | - | - |
| Self Leveling Planer 45 cm | 7221391 | 1179.0 | 1732.0 | 964.0 |
| Self Leveling Planer 60 cm | 7221392 | 1241.0 | 1732.0 | 982.0 |
| Self leveling Planer 100 cm | 6726632 | 1118.0 | 1727.0 | 813.0 |
| Self Leveling Planer 100 cm with 60 (fixed)/40 (removable) drum | 1111142 | - | - | - |

Weights

| Description | Item number | Operating weight (kg) | Shipping weight (kg) |
|---|---------------|-----------------------|----------------------|
| Planer 35 cm (Equipped with 35 cm All Purpose Drum) | PLN14*14468.0 | 660.0 | 660.0 |
| Planer 46 cm (Equipped with 46 cm Fast Cut Drum) | PLN18*18768.0 | 668.0 | 668.0 |
| Planer 46 cm (Without Drum) | PLN18*NO DRUM | 539.0 | 539.0 |
| Planer 61 cm (Equipped with 61 cm Fast Cut Drum) | PLN24*24731.0 | 731.0 | 731.0 |
| Planer 61 cm (Without Drum) | PLN24*NO DRUM | 56.0 | 56.0 |
| Self Leveling Planer 45 cm | 7221391 | 790.0 | 790.0 |
| Self Leveling Planer 60 cm | 7221392 | 950.0 | 950.0 |
| Self leveling Planer 100 cm | 6726632 | 1043.0 | 1087.0 |
| Self Leveling Planer 100 cm with 60 (fixed)/40 (removable) drum | 1111142 | 1043.0 | 1043.0 |

Characteristics and performance

| Description | Item number | Maximum cutting width (mm) | Cutting depth (with std drum) (mm) | Max. cutting angle ± (°) | Side shift (mm) | Planing distance next to curb (mm) |
|---|---------------|----------------------------|------------------------------------|--------------------------|-----------------|------------------------------------|
| Planer 35 cm (Equipped with 35 cm All Purpose Drum) | PLN14*14450.0 | 350.0 | 150.0 | 15.0 | 750.0 | - |
| Planer 46 cm (Equipped with 46 cm Fast Cut Drum) | PLN18*18760.0 | 460.0 | 150.0 | 15.0 | 750.0 | - |
| Planer 46 cm (Without Drum) | PLN18*NO DRUM | 460.0 | 150.0 | 15.0 | 750.0 | - |
| Planer 61 cm (Equipped with 61 cm Fast Cut Drum) | PLN24*24730.0 | 610.0 | 150.0 | 15.0 | 750.0 | - |
| Planer 61 cm (Without Drum) | PLN24*NO DRUM | 610.0 | 150.0 | 15.0 | 750.0 | - |
| Self Leveling Planer 45 cm | 7221391 | 450.0 | 150.0 | 15.0 | 650.0 | 65.0 |
| Self Leveling Planer 60 cm | 7221392 | 600.0 | 170.0 | 15.0 | 650.0 | 65.0 |
| Self leveling Planer 100 cm | 6726632 | 1020.0 | 130.0 | 8.0 | 650.0 | 65.0 |

| Description | Item number | Maximum cutting width (mm) | Cutting depth (with std drum) (mm) | Max. cutting angle \pm (°) | Side shift (mm) | Planing distance next to curb (mm) |
|---|-------------|----------------------------|------------------------------------|------------------------------|-----------------|------------------------------------|
| Self Leveling Planer 100 cm with 60 (fixed)/40 (removable) drum | 1111142 | 1020.0 | 130.0 | 8.0 | 650.0 | 65.0 |

Main features

- Top access panel—for easier bit service and maintenance.
- Side cutting bits—to decrease drum binding in the cut and to produce a vertical edge for improving the joint bond between a new layer of asphalt and the existing layer.
- Hydraulic side-shift—for planing close to walls and curbs, and to easily reposition the drum for another pass.
- Oscillating planer housing—for planing sloping surfaces or to match two uneven surfaces.
- Rear frame wheels—to provide support and reduce tire bounce while planing.
- Direct-drive high torque motors—for low maintenance and high efficiency.
- Bob-Tach™ mounting system with quick-connect controls—for fast, easy attachment changes.

Applications

- Road work, Recycling and Cleaning

Loader Compatibility

| Description | Item number | Compatible with loader | Functional requirements |
|---|---------------|--|-------------------------|
| Planer 35 cm (Equipped with 35 cm All Purpose Drum) | PLN14*14 | A770-B | - |
| Planer 46 cm (Equipped with 46 cm Fast Cut Drum) | PLN18*18 | A770-B | - |
| Planer 46 cm (Without Drum) | PLN18*NO DRUM | A770-B | - |
| Planer 61 cm (Equipped with 61 cm Fast Cut Drum) | PLN24*24 | A770-B | - |
| Planer 61 cm (Without Drum) | PLN24*NO DRUM | A770-B | - |
| Self Leveling Planer 45 cm | 7221391 | T590E IIIB, T590B iT4, T650E iT4, T650B iT4, S530E IIIA, S530B, S550E IIIB, S550B iT4, S570B iT4, S590E IIIB, S590B iT4, S630E iT4, S630B iT4, S530E V, T590E V, S66, S76, T66, T76, S530B, S630B iT4, S650B iT4 | - |

| Description | Item number | Compatible with loader | Functional requirements |
|---|-------------|--|-------------------------|
| Self Leveling Planer 60 cm | 7221392 | A770-B, T590E IIIB, T590B iT4, T650E iT4, T650B iT4, T770E IV, T770E T3, T770B T3, T870E IV, T870B T3, S530E IIIA, S530B, S550E IIIB, S550B iT4, S570B iT4, S590E IIIB, S590B iT4, S630E iT4, S630B iT4, S770E IV, S770E T3, S770B T3, S850E IV, S850E T3, S850B T3, A770E IV, S530E V, T590E V, S66, S76, T66, T76, S530B, S630B iT4, S650B iT4 | - |
| Self leveling Planer 100 cm | 6726632 | A770-B, T650E iT4, T650B iT4, T770E IV, T770E T3, T770B T3, T870E IV, T870B T3, S630E iT4, S630B iT4, S770E IV, S770E T3, S770B T3, S850E IV, S850E T3, S850B T3, A770E IV, S76, T76, S630B iT4, S650B iT4 | - |
| Self Leveling Planer 100 cm with 60 (fixed)/40 (removable) drum | 1111142 | A770-B, T650E iT4, T650B iT4, T770E IV, T770E T3, T770B T3, T870E IV, T870B T3, S630E iT4, S630B iT4, S770E IV, S770E T3, S770B T3, S850E IV, S850E T3, S850B T3, A770E IV, S76, T76, S630B iT4, S650B iT4 | - |

Accessories For Loader-Compatible Attachments

| Description | Item number | Compatible with attachment | Functional requirements |
|------------------------------------|-------------|--|-------------------------|
| Guide Rod Kit for Planer 14in/36cm | 6905975 | PLN14*14AP Planer 35cm (equipped with 35cm All Purpose Drum) | - |
| Drum 14in/36cm - All Purpose | 6905404 | PLN14*14AP Planer 35cm (equipped with 35cm All Purpose Drum) | - |
| Guide Rod Kit for Planer 18in/46cm | 6716451 | PLN18*18FC Planer 46cm (equipped with 46cm Fast Cut Drum), PLN18*NODRUM Planer 46cm (without Drum) | - |
| Drum 18in/46cm - Fast Cut | 7165505 | PLN18*18FC Planer 46cm (equipped with 46cm Fast Cut Drum), PLN18*NODRUM Planer 46cm (without Drum) | - |
| Drum 18in/46cm - Smooth Cut | 7165506 | PLN18*18FC Planer 46cm (equipped with 46cm Fast Cut Drum), PLN18*NODRUM Planer 46cm (without Drum) | - |

| Description | Item number | Compatible with attachment | Functional requirements |
|--|-------------|--|-------------------------|
| Drum 24in/61cm - Smooth Cut | 7165544 | PLN24*24FC Planer 61cm (equipped with 61cm Fast Cut Drum), PLN24*NODRUM Planer 61cm (without Drum) | - |
| Drum 24in/61cm - Fast Cut | 6958266 | PLN24*24FC Planer 61cm (equipped with 61cm Fast Cut Drum), PLN24*NODRUM Planer 61cm (without Drum) | - |
| Guide Rod Kit for Planer 24i/61cm | 7255036 | PLN24*24FC Planer 61cm (equipped with 61cm Fast Cut Drum), PLN24*NODRUM Planer 61cm (without Drum) | - |
| GUIDE ROD KIT for Self Levelling Planers | 7244907 | 7221392 Self Levelling Planer 60cm, 1111142 Planer 100cm with 60 (fixed)/40(removable) Drum | - |

BE OM **EN OFFERT**

Klicka bara på **knappen** eller skanna **QR-koden** nedan för åtkomst till vårt offertformulär.

Vi kontaktar dig så snart som möjligt. Tack!



BEGÄR OFFERT

