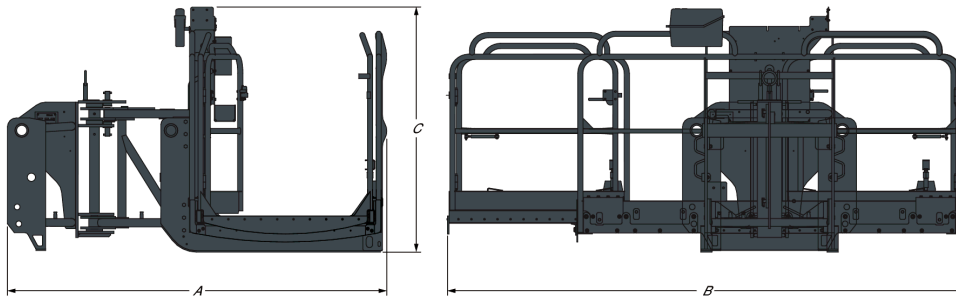


## Description

Use the man platform for the great flexibility in work, doing away with scaffolding and safety nets while simplifying and speeding up the job.

## Dimensions



Description	Item number	Overall Length (A) (mm)	Overall Width (B) (mm)	Overall width (B) (extended) (mm)	Overall Height (C) (mm)
Roto Man Platform Fixed 300 kg Carrier with Remote Control	7254887	120.0	215.0	-	-
Roto Man Platform Rotating 300 kg Carrier with Remote Control	7254891	120.0	215.0	-	-
Roto Man Platform Fixed with Hydraulic Extension 300 kg Carrier with Remote Control	7254889	120.0	240.0	-	-
Roto Rotating Man Platform with Hydraulic Extension, 300 kg, 240 x 420, with Remote Control, 300kg (remote control is required), type 1	7276581	120.0	240.0	-	-
Roto Man Platform Rotating with Hydraulic Extension 300 kg - 240 x 420 - Carrier with Remote Control	7254893	120.0	240.0	-	-

Description	Item number	Overall Length (A) (mm)	Overall Width (B) (mm)	Overall width (B) (extended) (mm)	Overall Height (C) (mm)
Roto Rotating Man Platform with Hydraulic Extension, 300 kg, 240 x 420, Carrier with Remote Control, for MB Bracket	7276580	120.0	240.0	-	-
Rotating Man Platform - expandable - 4 m, 800 kg	7232792	-	2400.0	-	-
Man Platform 1 m <sup>2</sup> 220 kg Fixed QT	7235885	-	1020.0	-	-
Man Platform 2.2 m 300 kg Rotating QT	7246529	-	2200.0	-	-
Man Platform 2.4 - 4 m Hyd. Extension 300 kg Rotating QT	7242499	-	2400.0	-	-
Rotating Man Platform - expandable - 4 m, 800 kg	7232792	-	2400.0	-	-
Roto Rotating Man Platform, 120 x 240 cm with Hydraulic Extension up to 420 cm. Capacity 800 kg incl. 3 persons for Vehicle w/Radio C with Proportional Distributor	7254895	120.0	240.0	-	-

## Weights

Description	Item number	Operating weight (kg)	Shipping weight (kg)
Roto Man Platform Fixed 300 kg Carrier with Remote Control	7254887	430.0	430.0
Roto Man Platform Rotating 300 kg Carrier with Remote Control	7254891	600.0	600.0
Roto Man Platform Fixed with Hydraulic Extension 300 kg Carrier with Remote Control	7254889	550.0	550.0
Roto Rotating Man Platform with Hydraulic Extension, 300 kg, 240 x 420, with Remote Control, 300kg (remote control is required), type 1	7276581	1165.0	1165.0

Description	Item number	Operating weight (kg)	Shipping weight (kg)
Roto Man Platform Rotating with Hydraulic Extension 300 kg - 240 x 420 - Carrier with Remote Control	7254893	780.0	780.0
Roto Rotating Man Platform with Hydraulic Extension, 300 kg, 240 x 420, Carrier with Remote Control, for MB Bracket	7276580	685.0	685.0
Rotating Man Platform - expandable - 4 m, 800 kg	7232792	970.0	970.0
Man Platform 1 m <sup>2</sup> 220 kg Fixed QT	7235885	148.0	148.0
Man Platform 2.2 m 300 kg Rotating QT	7246529	655.0	655.0
Man Platform 2.4 - 4 m Hyd. Extension 300 kg Rotating QT	7242499	775.0	775.0
Rotating Man Platform - expandable - 4 m, 800 kg	7232792	970.0	970.0
Roto Rotating Man Platform, 120 x 240 cm with Hydraulic Extension up to 420 cm. Capacity 800 kg incl. 3 persons for Vehicle wi/Radio C with Proportional Distributor	7254895	985.0	985.0

### Characteristics and performance

Description	Item number	Max load (kg)	Max persons
Roto Man Platform Fixed 300 kg Carrier with Remote Control	7254887	300.0	3
Roto Man Platform Rotating 300 kg Carrier with Remote Control	7254891	300.0	3
Roto Man Platform Fixed with Hydraulic Extension 300 kg Carrier with Remote Control	7254889	300.0	3
Roto Rotating Man Platform with Hydraulic Extension, 300 kg, 240 x 420, with Remote Control, 300kg (remote control is required), type 1	7276581	300.0	3
Roto Man Platform Rotating with Hydraulic Extension 300 kg - 240 x 420 - Carrier with Remote Control	7254893	300.0	3
Roto Rotating Man Platform with Hydraulic Extension, 300 kg, 240 x 420, Carrier with Remote Control, for MB Bracket	7276580	300.0	3
Rotating Man Platform - expandable - 4 m, 800 kg	7232792	800.0	3
Man Platform 1 m <sup>2</sup> 220 kg Fixed QT	7235885	220.0	2

Description	Item number	Max load (kg)	Max persons
Man Platform 2.2 m 300 kg Rotating QT	7246529	300.0	3
Man Platform 2.4 - 4 m Hyd. Extension 300 kg Rotating QT	7242499	300.0	3
Rotating Man Platform - expandable - 4 m, 800 kg	7232792	800.0	3
Roto Rotating Man Platform, 120 x 240 cm with Hydraulic Extension up to 420 cm. Capacity 800 kg incl. 3 persons for Vehicle wi/Radio C with Proportional Distributor	7254895	800.0	3

### Main features

- For 2.4 m platform:
  - Transport size 2400 mm x 2400 mm
  - Expands from 2.4 m to 4 m in 10 seconds
  - Can rotate 90° in both directions
  - Rotation by remote control
- For 1 m platform:
  - Fixed (no rotation)
  - Made of galvanized steel

### Applications

- Construction and Demolition
- Lifting and Handling
- Road work, Recycling and Cleaning

### Telescopic Compatibility

Description	Item number	Compatible with telescopic	Functional requirements
Roto Man Platform Fixed 300 kg Carrier with Remote Control	7254887	TR38160EVO IIIA, TR38160EVO IIIB, TR50190EVO IIIB, TR50210EVO IIIA, TR50210EVO IIIB, TR40250EVO IIIA, TR40250EVO IIIB	-
Roto Man Platform Rotating 300 kg Carrier with Remote Control	7254891	TR38160EVO IIIA, TR38160EVO IIIB, TR50190EVO IIIB, TR50210EVO IIIA, TR50210EVO IIIB, TR40250EVO IIIA, TR40250EVO IIIB	-
Roto Man Platform Fixed with Hydraulic Extension 300 kg Carrier with Remote Control	7254889	TR38160EVO IIIA, TR38160EVO IIIB, TR50190EVO IIIB, TR50210EVO IIIA, TR50210EVO IIIB, TR40250EVO IIIA, TR40250EVO IIIB	-

Description	Item number	Compatible with telescopic	Functional requirements
Roto Rotating Man Platform with Hydraulic Extension, 300 kg, 240 x 420, with Remote Control, 300kg (remote control is required), type 1	7276581	TR50190EVO IIIB, TR50210EVO IIIA, TR50210EVO IIIB, TR40250EVO IIIA, TR40250EVO IIIB	-
Roto Man Platform Rotating with Hydraulic Extension 300 kg - 240 x 420 - Carrier with Remote Control	7254893	TR38160EVO IIIA, TR38160EVO IIIB, TR50190EVO IIIB, TR50210EVO IIIA, TR50210EVO IIIB, TR40250EVO IIIA, TR40250EVO IIIB	-
Roto Rotating Man Platform with Hydraulic Extension, 300 kg, 240 x 420, Carrier with Remote Control, for MB Bracket	7276580	TR50210EVO IIIB, TR40250EVO IIIB	-
Rotating Man Platform - expandable - 4 m, 800 kg	7232792	T41.140SLP 100 IV, T41.140SLP 100 IIIA, T40.180SLP 100 IV, T40.180SLP 100 IIIA, T41.140SLP 75 V, T40.180SLP 75 V, T40.180SLP 100 IIIA R-Series, T40.180SLP 100 V R-Series, T40.180SLP 75 V R-Series, T41.140SLP 100 IIIA R-Series, T41.140SLP 100 V R-Series, T41.140SLP 75 V R-Series	-
Man Platform 1 m <sup>2</sup> 220 kg Fixed QT	7235885	T41.140SLP 100 IV, T41.140SLP 100 IIIA, T40.180SLP 100 IV, T40.180SLP 100 IIIA, T41.140SLP 75 V, T40.180SLP 75 V, T40.180SLP 100 IIIA R-Series, T40.180SLP 100 V R-Series, T40.180SLP 75 V R-Series, T41.140SLP 100 IIIA R-Series, T41.140SLP 100 V R-Series, T41.140SLP 75 V R-Series	-
Man Platform 2.2 m 300 kg Rotating QT	7246529	T41.140SLP 100 IV, T41.140SLP 100 IIIA, T40.180SLP 100 IV, T40.180SLP 100 IIIA, T41.140SLP 75 V, T40.180SLP 75 V, T40.180SLP 100 IIIA R-Series, T40.180SLP 100 V R-Series, T40.180SLP 75 V R-Series, T41.140SLP 100 IIIA R-Series, T41.140SLP 100 V R-Series, T41.140SLP 75 V R-Series	-

Description	Item number	Compatible with telescopic	Functional requirements
Man Platform 2.4 - 4 m Hyd. Extension 300 kg Rotating QT	7242499	T41.140SLP 100 IV, T41.140SLP 100 IIIA, T40.180SLP 100 IV, T40.180SLP 100 IIIA, T41.140SLP 75 V, T40.180SLP 75 V, T40.180SLP 100 IIIA R-Series, T40.180SLP 100 V R-Series, T40.180SLP 75 V R-Series, T41.140SLP 100 IIIA R-Series, T41.140SLP 100 V R-Series, T41.140SLP 75 V R-Series	-
Rotating Man Platform - expandable - 4 m, 800 kg	7232792	T41.140SLP 100 IV, T41.140SLP 100 IIIA, T40.180SLP 100 IV, T40.180SLP 100 IIIA, T41.140SLP 75 V, T40.180SLP 75 V, T40.180SLP 100 IIIA R-Series, T40.180SLP 100 V R-Series, T40.180SLP 75 V R-Series, T41.140SLP 100 IIIA R-Series, T41.140SLP 100 V R-Series, T41.140SLP 75 V R-Series	-
Roto Rotating Man Platform, 120 x 240 cm with Hydraulic Extension up to 420 cm. Capacity 800 kg incl. 3 persons for Vehicle wi/Radio C with Proportional Distributor	7254895	TR38160EVO IIIA, TR38160EVO IIIB, TR50190EVO IIIB, TR50210EVO IIIA, TR50210EVO IIIB, TR40250EVO IIIA, TR40250EVO IIIB	-



# BE OM **EN OFFERT**

Klicka bara på **knappen** eller skanna **QR-koden** nedan för åtkomst till vårt offertformulär.

Vi kontaktar dig så snart som möjligt. Tack!



**BEGÄR OFFERT**

