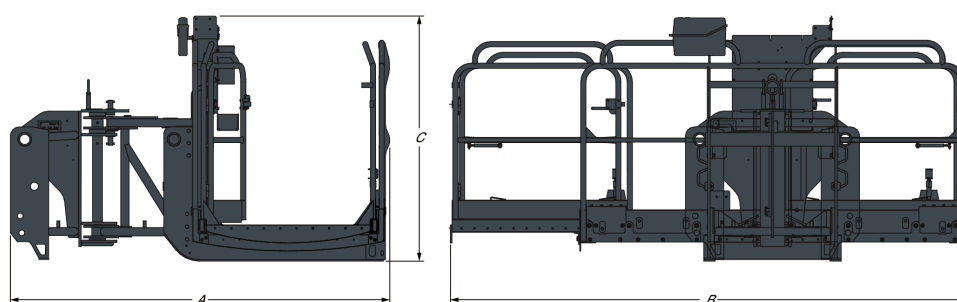


Description

Use the man platform for the great flexibility in work, doing away with scaffolding and safety nets while simplifying and speeding up the job.

Dimensions



| Description | Item number | Overall Length (A) (mm) | Overall Width (B) (mm) | Overall width (B) (extended) (mm) | Overall Height (C) (mm) |
|---|-------------|-------------------------|------------------------|-----------------------------------|-------------------------|
| Roto Man Platform Fixed 300 kg Carrier with Remote Control | 7254887 | 120.0 | 215.0 | - | - |
| Roto Man Platform Rotating 300 kg Carrier with Remote Control | 7254891 | 120.0 | 215.0 | - | - |
| Roto Man Platform Fixed with Hydraulic Extension 300 kg Carrier with Remote Control | 7254889 | 120.0 | 240.0 | - | - |
| Roto Rotating Man Platform with Hydraulic Extension, 300 kg, 240 x 420, with Remote Control, 300kg (remote control is required), type 1 | 7276581 | 120.0 | 240.0 | - | - |
| Roto Man Platform Rotating with Hydraulic Extension 300 kg - 240 x 420 - Carrier with Remote Control | 7254893 | 120.0 | 240.0 | - | - |

| Description | Item number | Overall Length (A) (mm) | Overall Width (B) (mm) | Overall width (B) (extended) (mm) | Overall Height (C) (mm) |
|---|-------------|-------------------------|------------------------|-----------------------------------|-------------------------|
| Roto Rotating Man Platform with Hydraulic Extension, 300 kg, 240 x 420, Carrier with Remote Control, for MB Bracket | 7276580 | 120.0 | 240.0 | - | - |
| Rotating Man Platform - expandable - 4 m, 800 kg | 7232792 | - | 2400.0 | - | - |
| Man Platform 1 m ² 220 kg Fixed QT | 7235885 | - | 1020.0 | - | - |
| Man Platform 2.2 m 300 kg Rotating QT | 7246529 | - | 2200.0 | - | - |
| Man Platform 2.4 - 4 m Hyd. Extension 300 kg Rotating QT | 7242499 | - | 2400.0 | - | - |
| Rotating Man Platform - expandable - 4 m, 800 kg | 7232792 | - | 2400.0 | - | - |
| Roto Rotating Man Platform, 120 x 240 cm with Hydraulic Extension up to 420 cm. Capacity 800 kg incl. 3 persons for Vehicle w/Radio C with Proportional Distributor | 7254895 | 120.0 | 240.0 | - | - |

Weights

| Description | Item number | Operating weight (kg) | Shipping weight (kg) |
|---|-------------|-----------------------|----------------------|
| Roto Man Platform Fixed 300 kg Carrier with Remote Control | 7254887 | 430.0 | 430.0 |
| Roto Man Platform Rotating 300 kg Carrier with Remote Control | 7254891 | 600.0 | 600.0 |
| Roto Man Platform Fixed with Hydraulic Extension 300 kg Carrier with Remote Control | 7254889 | 550.0 | 550.0 |
| Roto Rotating Man Platform with Hydraulic Extension, 300 kg, 240 x 420, with Remote Control, 300kg (remote control is required), type 1 | 7276581 | 1165.0 | 1165.0 |

| Description | Item number | Operating weight (kg) | Shipping weight (kg) |
|--|-------------|-----------------------|----------------------|
| Roto Man Platform Rotating with Hydraulic Extension 300 kg - 240 x 420 - Carrier with Remote Control | 7254893 | 780.0 | 780.0 |
| Roto Rotating Man Platform with Hydraulic Extension, 300 kg, 240 x 420, Carrier with Remote Control, for MB Bracket | 7276580 | 685.0 | 685.0 |
| Rotating Man Platform - expandable - 4 m, 800 kg | 7232792 | 970.0 | 970.0 |
| Man Platform 1 m ² 220 kg Fixed QT | 7235885 | 148.0 | 148.0 |
| Man Platform 2.2 m 300 kg Rotating QT | 7246529 | 655.0 | 655.0 |
| Man Platform 2.4 - 4 m Hyd. Extension 300 kg Rotating QT | 7242499 | 775.0 | 775.0 |
| Rotating Man Platform - expandable - 4 m, 800 kg | 7232792 | 970.0 | 970.0 |
| Roto Rotating Man Platform, 120 x 240 cm with Hydraulic Extension up to 420 cm. Capacity 800 kg incl. 3 persons for Vehicle wi/Radio C with Proportional Distributor | 7254895 | 985.0 | 985.0 |

Characteristics and performance

| Description | Item number | Max load (kg) | Max persons |
|---|-------------|---------------|-------------|
| Roto Man Platform Fixed 300 kg Carrier with Remote Control | 7254887 | 300.0 | 3 |
| Roto Man Platform Rotating 300 kg Carrier with Remote Control | 7254891 | 300.0 | 3 |
| Roto Man Platform Fixed with Hydraulic Extension 300 kg Carrier with Remote Control | 7254889 | 300.0 | 3 |
| Roto Rotating Man Platform with Hydraulic Extension, 300 kg, 240 x 420, with Remote Control, 300kg (remote control is required), type 1 | 7276581 | 300.0 | 3 |
| Roto Man Platform Rotating with Hydraulic Extension 300 kg - 240 x 420 - Carrier with Remote Control | 7254893 | 300.0 | 3 |
| Roto Rotating Man Platform with Hydraulic Extension, 300 kg, 240 x 420, Carrier with Remote Control, for MB Bracket | 7276580 | 300.0 | 3 |
| Rotating Man Platform - expandable - 4 m, 800 kg | 7232792 | 800.0 | 3 |
| Man Platform 1 m ² 220 kg Fixed QT | 7235885 | 220.0 | 2 |

| Description | Item number | Max load (kg) | Max persons |
|--|-------------|---------------|-------------|
| Man Platform 2.2 m 300 kg Rotating QT | 7246529 | 300.0 | 3 |
| Man Platform 2.4 - 4 m Hyd. Extension 300 kg Rotating QT | 7242499 | 300.0 | 3 |
| Rotating Man Platform - expandable - 4 m, 800 kg | 7232792 | 800.0 | 3 |
| Roto Rotating Man Platform, 120 x 240 cm with Hydraulic Extension up to 420 cm. Capacity 800 kg incl. 3 persons for Vehicle wi/Radio C with Proportional Distributor | 7254895 | 800.0 | 3 |

Main features

- For 2.4 m platform:
 - Transport size 2400 mm x 2400 mm
 - Expands from 2.4 m to 4 m in 10 seconds
 - Can rotate 90° in both directions
 - Rotation by remote control
- For 1 m platform:
 - Fixed (no rotation)
 - Made of galvanized steel

Applications

- Construction and Demolition
- Lifting and Handling
- Road work, Recycling and Cleaning

Telescopic Compatibility

| Description | Item number | Compatible with telescopic | Functional requirements |
|---|-------------|---|-------------------------|
| Roto Man Platform Fixed 300 kg Carrier with Remote Control | 7254887 | TR38160EVO IIIA, TR38160EVO IIIB, TR50190EVO IIIB, TR50210EVO IIIA, TR50210EVO IIIB, TR40250EVO IIIA, TR40250EVO IIIB | - |
| Roto Man Platform Rotating 300 kg Carrier with Remote Control | 7254891 | TR38160EVO IIIA, TR38160EVO IIIB, TR50190EVO IIIB, TR50210EVO IIIA, TR50210EVO IIIB, TR40250EVO IIIA, TR40250EVO IIIB | - |
| Roto Man Platform Fixed with Hydraulic Extension 300 kg Carrier with Remote Control | 7254889 | TR38160EVO IIIA, TR38160EVO IIIB, TR50190EVO IIIB, TR50210EVO IIIA, TR50210EVO IIIB, TR40250EVO IIIA, TR40250EVO IIIB | - |

| Description | Item number | Compatible with telescopic | Functional requirements |
|---|-------------|--|-------------------------|
| Roto Rotating Man Platform with Hydraulic Extension, 300 kg, 240 x 420, with Remote Control, 300kg (remote control is required), type 1 | 7276581 | TR50190EVO IIIB, TR50210EVO IIIA, TR50210EVO IIIB, TR40250EVO IIIA, TR40250EVO IIIB | - |
| Roto Man Platform Rotating with Hydraulic Extension 300 kg - 240 x 420 - Carrier with Remote Control | 7254893 | TR38160EVO IIIA, TR38160EVO IIIB, TR50190EVO IIIB, TR50210EVO IIIA, TR50210EVO IIIB, TR40250EVO IIIA, TR40250EVO IIIB | - |
| Roto Rotating Man Platform with Hydraulic Extension, 300 kg, 240 x 420, Carrier with Remote Control, for MB Bracket | 7276580 | TR50210EVO IIIB, TR40250EVO IIIB | - |
| Rotating Man Platform - expandable - 4 m, 800 kg | 7232792 | T41.140SLP 100 IV, T41.140SLP 100 IIIA, T40.180SLP 100 IV, T40.180SLP 100 IIIA, T41.140SLP 75 V, T40.180SLP 75 V, T40.180SLP 100 IIIA R-Series, T40.180SLP 100 V R-Series, T40.180SLP 75 V R-Series, T41.140SLP 100 IIIA R-Series, T41.140SLP 100 V R-Series, T41.140SLP 75 V R-Series | - |
| Man Platform 1 m ² 220 kg Fixed QT | 7235885 | T41.140SLP 100 IV, T41.140SLP 100 IIIA, T40.180SLP 100 IV, T40.180SLP 100 IIIA, T41.140SLP 75 V, T40.180SLP 75 V, T40.180SLP 100 IIIA R-Series, T40.180SLP 100 V R-Series, T40.180SLP 75 V R-Series, T41.140SLP 100 IIIA R-Series, T41.140SLP 100 V R-Series, T41.140SLP 75 V R-Series | - |
| Man Platform 2.2 m 300 kg Rotating QT | 7246529 | T41.140SLP 100 IV, T41.140SLP 100 IIIA, T40.180SLP 100 IV, T40.180SLP 100 IIIA, T41.140SLP 75 V, T40.180SLP 75 V, T40.180SLP 100 IIIA R-Series, T40.180SLP 100 V R-Series, T40.180SLP 75 V R-Series, T41.140SLP 100 IIIA R-Series, T41.140SLP 100 V R-Series, T41.140SLP 75 V R-Series | - |

| Description | Item number | Compatible with telescopic | Functional requirements |
|--|-------------|--|-------------------------|
| Man Platform 2.4 - 4 m Hyd. Extension 300 kg Rotating QT | 7242499 | T41.140SLP 100 IV, T41.140SLP 100 IIIA, T40.180SLP 100 IV, T40.180SLP 100 IIIA, T41.140SLP 75 V, T40.180SLP 75 V, T40.180SLP 100 IIIA R-Series, T40.180SLP 100 V R-Series, T40.180SLP 75 V R-Series, T41.140SLP 100 IIIA R-Series, T41.140SLP 100 V R-Series, T41.140SLP 75 V R-Series | - |
| Rotating Man Platform - expandable - 4 m, 800 kg | 7232792 | T41.140SLP 100 IV, T41.140SLP 100 IIIA, T40.180SLP 100 IV, T40.180SLP 100 IIIA, T41.140SLP 75 V, T40.180SLP 75 V, T40.180SLP 100 IIIA R-Series, T40.180SLP 100 V R-Series, T40.180SLP 75 V R-Series, T41.140SLP 100 IIIA R-Series, T41.140SLP 100 V R-Series, T41.140SLP 75 V R-Series | - |
| Roto Rotating Man Platform, 120 x 240 cm with Hydraulic Extension up to 420 cm. Capacity 800 kg incl. 3 persons for Vehicle wi/Radio C with Proportional Distributor | 7254895 | TR38160EVO IIIA, TR38160EVO IIIB, TR50190EVO IIIB, TR50210EVO IIIA, TR50210EVO IIIB, TR40250EVO IIIA, TR40250EVO IIIB | - |

BE OM **EN OFFERT**

Klicka bara på **knappen** eller skanna **QR-koden** nedan för åtkomst till vårt offertformulär.

Vi kontaktar dig så snart som möjligt. Tack!



BEGÄR OFFERT

