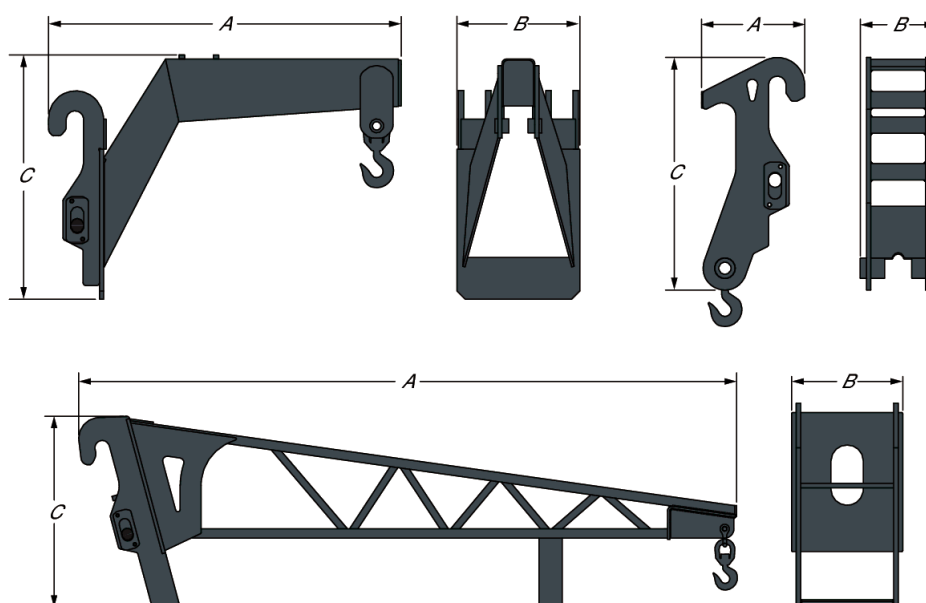


Description

Add a crane jib and your telescopic handler is turned into a crane, but with all the advantages of its mobility and versatility

Dimensions



| Description | Item number | Overall Length (A) (mm) | Overall Width (B) (mm) | Overall Height (C) (mm) |
|---|-------------|-------------------------|------------------------|-------------------------|
| Extension Jib 3.7 m with Hook QT | 7238827 | 3700.0 | 940.0 | - |
| Extension Jib With Hook L = 2.5 m (1.2 t) | 7190466 | 2500.0 | 480.0 | 825.0 |
| Extension jib w/hook L=4.5m (0.6 t) | 7190472 | 4978.0 | 550.0 | 917.0 |
| Positive/Negative Jib with Man Platform | 7254896 | - | - | - |
| Crane Jib 4.1 t - 0.7 m QT | 7235647 | - | 830.0 | - |
| Crane Jib 4.1 t - 0.7 m MT | 7204108 | - | 830.0 | - |

Weights

| Description | Item number | Operating weight (kg) | Shipping weight (kg) |
|---|-------------|-----------------------|----------------------|
| Extension Jib 3.7 m with Hook QT | 7238827 | 200.0 | 200.0 |
| Extension Jib With Hook L = 2.5 m (1.2 t) | 7190466 | 185.0 | 185.0 |
| Extension jib w/hook L=4.5m (0.6 t) | 7190472 | 260.0 | 260.0 |
| Positive/Negative Jib with Man Platform | 7254896 | 792.0 | 792.0 |

| Description | Item number | Operating weight (kg) | Shipping weight (kg) |
|----------------------------|-------------|-----------------------|----------------------|
| Crane Jib 4.1 t - 0.7 m QT | 7235647 | 177.0 | 177.0 |
| Crane Jib 4.1 t - 0.7 m MT | 7204108 | 177.0 | 177.0 |

Characteristics and performance

| Description | Item number | Capacity (kg) |
|---|-------------|---------------|
| Extension Jib 3.7 m with Hook QT | 7238827 | 700.0 |
| Extension Jib With Hook L = 2.5 m (1.2 t) | 7190466 | 1200.0 |
| Extension jib w/hook L=4.5m (0.6 t) | 7190472 | 600.0 |
| Positive/Negative Jib with Man Platform | 7254896 | 200.0 |
| Crane Jib 4.1 t - 0.7 m QT | 7235647 | 4100.0 |
| Crane Jib 4.1 t - 0.7 m MT | 7204108 | 4100.0 |

Applications

- Construction and Demolition
- Lifting and Handling

Telescopic Compatibility

| Description | Item number | Compatible with telescopic | Functional requirements |
|---|-------------|--|-------------------------|
| Extension Jib 3.7 m with Hook QT | 7238827 | T35.105 100 IV, T35.105 100 IIIA, T35.105L 100 IV, T35.105L 100 IIIA, T36.120SL 100 IV, T36.120SL 100 IIIA, T35.130S 100 IV, T35.130S 100 IIIA, T35.130SLP 100 IV, T35.130SLP 100 IIIA, T35.140S 100 IV, T35.140S 100 IIIA, T41.140SLP 100 IV, T41.140SLP 100 IIIA, T40.180SLP 100 IV, T40.180SLP 100 IIIA, T35.105 75 V, T35.105L 75 V, T36.120SL 75 V, T35.130S 75 V, T35.130SLP 75 V, T35.140S 75 V, T41.140SLP 75 V, T40.180SLP 75 V, T35.105 100 IIIA R-Series, T35.105 100 V R-Series, T35.105 75 V R-Series, T35.105L 100 IIIA R-Series, T35.105L 100 V R-Series, T35.105L 75 V R-Series, T36.120SL 100 IIIA R-Series, T36.120SL 100 V R-Series, T36.120SL 75 V R-Series, T35.130S 100 IIIA R-Series, T35.130S 100 V R-Series, T35.130S 75 V R-Series, T35.130SLP 100 IIIA R-Series, T35.130SLP 100 V R-Series, T35.130SLP 75 V R-Series, T35.140S 100 IIIA R-Series, T35.140S 100 V R-Series, T35.140S 75 V R-Series, T40.180SLP 100 IIIA R-Series, T40.180SLP 100 V R-Series, T40.180SLP 75 V R-Series, T41.140SLP 100 IIIA R-Series, T41.140SLP 100 V R-Series, T41.140SLP 75 V R-Series | - |
| Extension Jib With Hook L = 2.5 m (1.2 t) | 7190466 | TR38160EVO IIIA, TR38160EVO IIIB, TR50190EVO IIIB, TR50210EVO IIIA, TR50210EVO IIIB, TR40250EVO IIIA, TR40250EVO IIIB | - |
| Extension jib w/hook L=4.5m (0.6 t) | 7190472 | TR38160EVO IIIA, TR38160EVO IIIB, TR50190EVO IIIB, TR50210EVO IIIA, TR50210EVO IIIB, TR40250EVO IIIA, TR40250EVO IIIB | - |

| Description | Item number | Compatible with telescopic | Functional requirements |
|---|--------------------|--|--------------------------------|
| Positive/Negative Jib with Man Platform | 7254896 | TR38160EVO IIIA, TR38160EVO IIIB, TR50210EVO IIIA, TR50210EVO IIIB, TR40250EVO IIIA, TR40250EVO IIIB | - |

| Description | Item number | Compatible with telescopic | Functional requirements |
|----------------------------|-------------|---|-------------------------|
| Crane Jib 4.1 t - 0.7 m QT | 7235647 | TL30.70 AGRI Low Cab 100 IV, TL30.70 AGRI High Cab 100 IV, TL35.70 AGRI 100 IIIA, TL38.70HF AGRI 130 IIIA, TL26.60 High Cab 100 IV, TL26.60 Low Cab 100 IV, TL26.60 Low Cab 100 IIIA, TL30.60 High Cab 100 IV, TL30.60 Low Cab 100 IV, TL30.60 High Cab 100 IIIA, TL30.60 Low Cab 100 IIIA, TL30.70 High Cab 100 IIIA, TL30.70 High Cab 100 IV, TL30.70 Low Cab 100 IV, TL34.65HF 130 IV, TL35.70 100 IIIA, TL35.70 100 IV, TL38.70HF 130 IIIA, TL38.70HF 130 IV, TL43.80HF IIIA, TL43.80HF IV, T35.105 100 IV, T35.105 100 IIIA, T35.105L 100 IV, T35.105L 100 IIIA, T36.120SL 100 IV, T36.120SL 100 IIIA, T35.130S 100 IV, T35.130S 100 IIIA, T35.130SLP 100 IV, T35.130SLP 100 IIIA, T35.140S 100 IV, T35.140S 100 IIIA, T41.140SLP 100 IV, T41.140SLP 100 IIIA, T40.180SLP 100 IV, T40.180SLP 100 IIIA, TL30.60 Low Cab 75 V, TL30.60 High Cab 75 V, TL30.70 Low Cab 75 V, TL26.60 High Cab 75 V, TL26.60 Low Cab 75 V, TL30.70 High Cab 75 V, T35.105 75 V, T35.105L 75 V, T36.120SL 75 V, T35.130S 75 V, T35.130SLP 75 V, T35.140S 75 V, T41.140SLP 75 V, T40.180SLP 75 V, TL26.60 100 High Cab IIIA R-Series, TL26.60 100 High Cab V R-Series, TL26.60 100 Low Cab IIIA R-Series, TL26.60 100 Low Cab V R-Series, TL26.60 75 High Cab V R-Series, TL26.60 75 Low Cab V R-Series, TL30.60 100 High Cab IIIA R-Series, TL30.60 100 High Cab V R-Series, TL30.60 100 Low Cab IIIA R-Series, TL30.60 100 Low Cab V R-Series, TL30.60 75 High Cab V R-Series, TL30.60 75 Low Cab V R-Series, TL30.70 100 High Cab IIIA R-Series, TL30.70 100 High Cab V R-Series, TL30.70 100 Low Cab IIIA R-Series, TL30.70 100 Low Cab V R-Series, TL30.70 75 High Cab V R-Series, TL34.65HF 135 V R-Series, TL35.70 100 IIIA R-Series, TL35.70 | - |

| Description | Item number | Compatible with telescopic | Functional requirements |
|----------------------------|-------------|--|-------------------------|
| Crane Jib 4.1 t - 0.7 m MT | 7204108 | TL30.60 AGRI Low Cab 100 IV, TL26.60 High Cab 100 IIIA, TL30.60 AGRI High Cab 100 IIIA, TL30.60 AGRI Low Cab 100 IIIA, TL30.70 AGRI Low Cab 100 IV, TL30.70 AGRI High Cab 100 IV, TL35.70 AGRI 100 IIIA, TL38.70HF AGRI 130 IIIA, TL26.60 High Cab 100 IV, TL26.60 Low Cab 100 IV, TL26.60 Low Cab 100 IIIA, TL30.60 High Cab 100 IV, TL30.60 Low Cab 100 IV, TL30.60 High Cab 100 IIIA, TL30.60 Low Cab 100 IIIA, TL30.70 High Cab 100 IIIA, TL30.70 High Cab 100 IV, TL30.70 Low Cab 100 IV, TL34.65HF 130 IV, TL35.70 100 IIIA, TL35.70 100 IV, TL38.70HF 130 IIIA, TL38.70HF 130 IV, TL43.80HF IIIA, TL43.80HF IV, T35.130S 100 IV, T35.130S 100 IIIA, T35.130SLP 100 IV, T35.130SLP 100 IIIA, T35.140S 100 IV, T35.140S 100 IIIA, T41.140SLP 100 IV, T41.140SLP 100 IIIA, T40.180SLP 100 IV, T40.180SLP 100 IIIA, TL30.60 Low Cab 75 V, TL30.60 High Cab 75 V, TL30.70 Low Cab 75 V, TL26.60 High Cab 75 V, TL26.60 Low Cab 75 V, TL30.70 High Cab 75 V, T35.130S 75 V, T35.130SLP 75 V, T35.140S 75 V, T41.140SLP 75 V, T40.180SLP 75 V, TL26.60 100 High Cab IIIA R-Series, TL26.60 100 High Cab V R-Series, TL26.60 100 Low Cab IIIA R-Series, TL26.60 100 Low Cab V R-Series, TL26.60 75 High Cab V R-Series, TL26.60 75 Low Cab V R-Series, TL30.60 100 High Cab IIIA R-Series, TL30.60 100 High Cab V R-Series, TL30.60 100 Low Cab IIIA R-Series, TL30.60 100 Low Cab V R-Series, TL30.60 75 High Cab V R-Series, TL30.60 75 Low Cab V R-Series, TL30.70 100 High Cab IIIA R-Series, TL30.70 100 High Cab V R-Series, TL30.70 100 Low Cab IIIA R-Series, TL30.70 100 Low Cab V R-Series, TL30.70 75 High Cab V R-Series, TL30.70 75 Low Cab V R-Series, TL34.65HF 135 V R-Series, TL35.70 100 IIIA R-Series, TL35.70 100 V R-Series, TL38.70HF | - |

GET **A QUOTE**

Simply click **the button** or scan **the QR code** below to access our quote request form.

We will contact you as soon as possible.
Thank you!



REQUEST QUOTE >