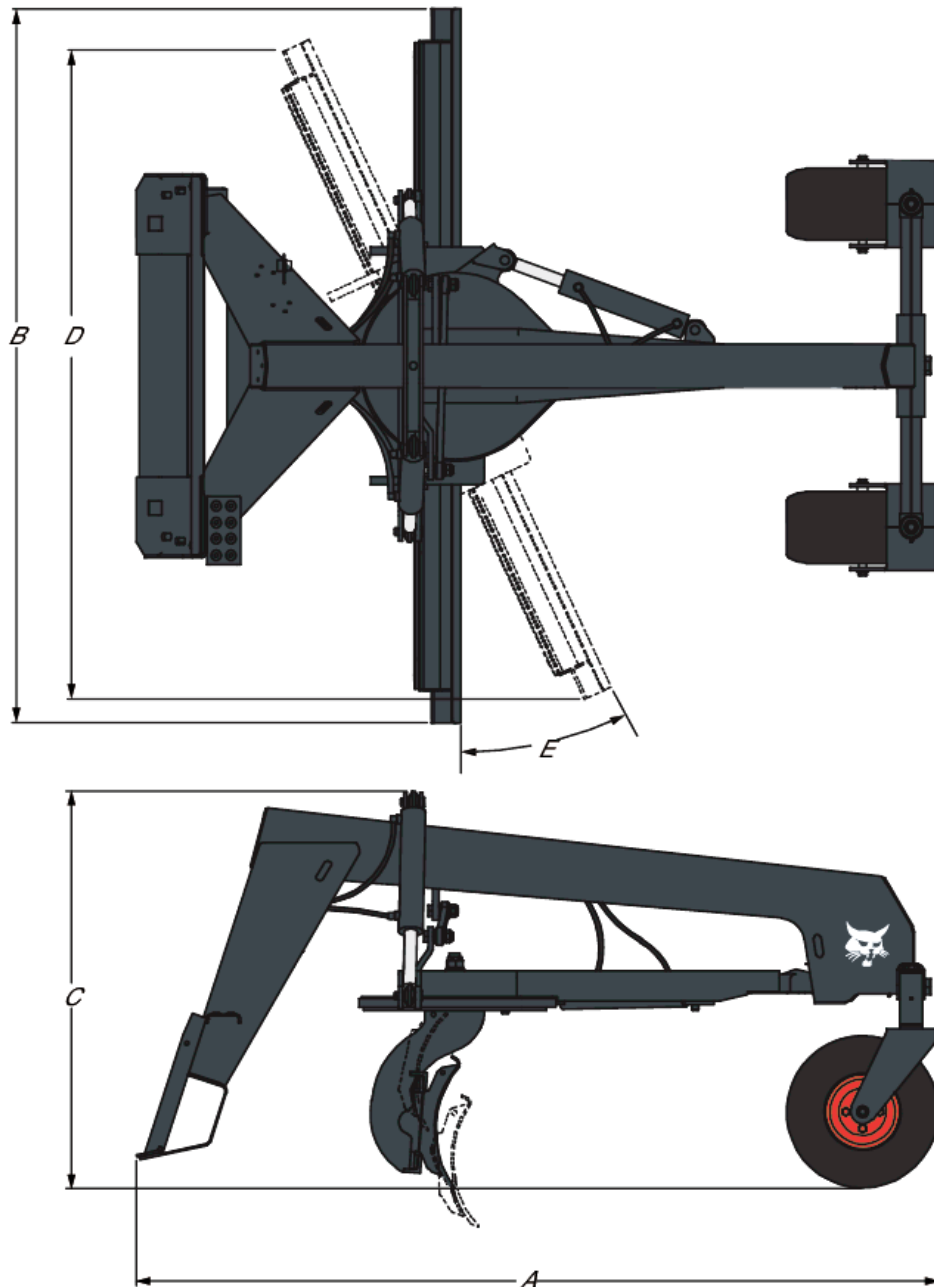


Description

Turn your Bobcat® loader into a high-performance grading machine. The six-way hydraulically-controlled blade is easy to operate with switches located on steering levers. Optional laser control system offers more precise control and saves concrete, time and labor.

Dimensions



Description	Item number	Overall length (A) (mm)	Overall width (B) (mm)	Overall height (C) (mm)
Grader 213 cm	6906480	2400.0	2134.0	1187.0
Grader 244 cm	7160005	2642.0	2438.0	1522.0
Grader 274 cm	7182060	2642.0	2743.0	1522.0

Weights

Description	Item number	Operating weight (kg)	Shipping weight (kg)
Grader 213 cm	6906480	624.0	624.0
Grader 244 cm	7160005	1264.0	1264.0
Grader 274 cm	7182060	1298.0	1298.0

Characteristics and performance

Description	Item number	Blade angle (Right or Left) (°)	Blade width fully angled (D) (mm)	Sideshift	Blade side-shift Left/Right (mm from center)
Grader 213 cm	6906480	25.0	1933.0	Manual	305
Grader 244 cm	7160005	30.0	2126.0	Hydraulic	330
Grader 274 cm	7182060	30.0	2380.0	Hydraulic	330

Main features

- Blade has a reversible cutting edge that is also easily replaceable.
- Bob-Tach™ mounted.
- Blade manually adjusts sideways up to 30 cm either way.
- Optional laser control package for precise grade control in flatwork contracting.
- Attachment control kit must be installed on Bobcat loader to operate attachment.
- 3 cylinders for precise positioning of the blade

Applications

- Construction and Demolition
- Grading and Leveling
- Landscaping
- Road work, Recycling and Cleaning

Loader Compatibility

Description	Item number	Compatible with loader	Functional requirements
Grader 213 cm	6906480	A770-B, T870B T3, S850E IV, S850E T3, S850B T3, T450E IIIB, T590E IIIB, T590B iT4, S450E IIIA, S450B T2, S510E IIIA, S510B, S530E IIIA, S530B, S550E IIIB, S550B iT4, S570B iT4, S590E IIIB, S590B iT4, S630E iT4, S630B iT4, S770E IV, S770E T3, S770B T3, A770E IV, S450 V, S510E V, S530E V, T590E V, T450E V, S66, S76, T66, S510B, S530B, S550E V, S590E V, S630B iT4, S650B iT4	-

Description	Item number	Compatible with loader	Functional requirements
Grader 244 cm	7160005	A770-B, T650E iT4, T650B iT4, T770E IV, T770E T3, T770B T3, T870E IV, T870B T3, S770E IV, S770E T3, S770B T3, S850E IV, S850E T3, S850B T3, A770E IV, T76	-
Grader 274 cm	7182060	A770-B, T770E IV, T770E T3, T770B T3, T870E IV, T870B T3, S770E IV, S770E T3, S770B T3, S850E IV, S850E T3, S850B T3, A770E IV	-

Accessories For Loader-Compatible Attachments

Description	Item number	Compatible with attachment	Functional requirements
Sonic Tracer Mounting Hardware	7211624	7160005 MI GRADER 96	-
-	7211628	7160005 MI GRADER 96	-

BE OM **EN OFFERT**

Klicka bara på **knappen** eller skanna **QR-koden** nedan för åtkomst till vårt offertformulär.

Vi kontaktar dig så snart som möjligt. Tack!



BEGÄR OFFERT

