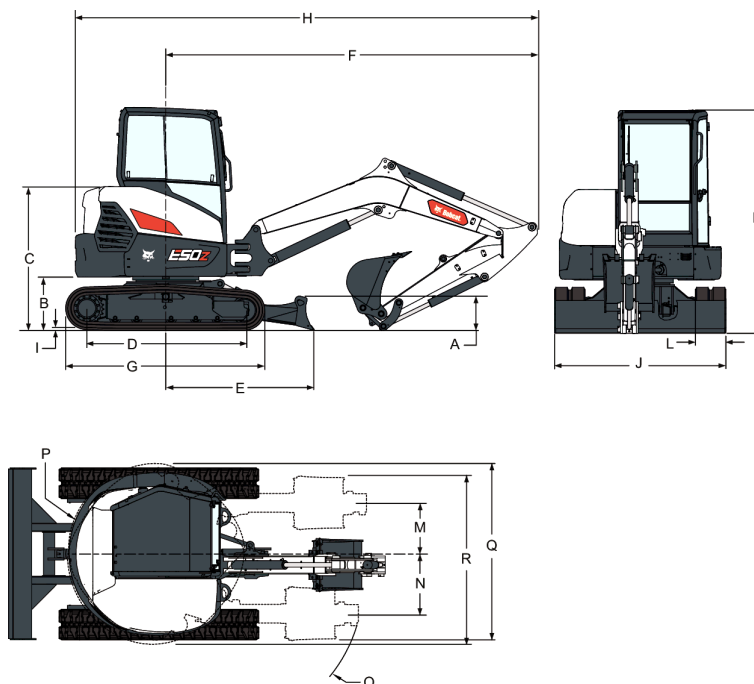
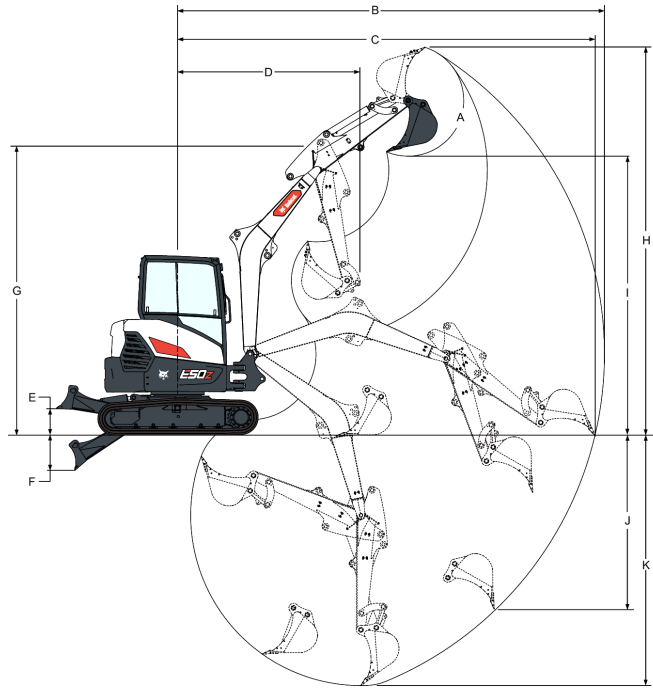


Dimensions

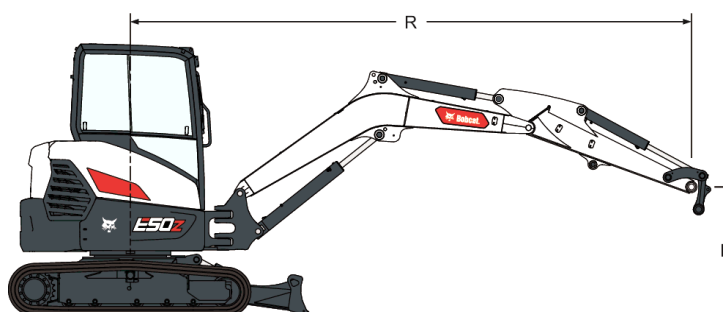


(A) Blade height	373.0 mm
(B) Clearance, upper structure to ground line	608.0 mm
(C) Ground line to top of engine cover	1640.0 mm
(D) Length of track on ground	1803.0 mm
(E) Machine centre line to blade	1692.0 mm
(F) Minimum radius in travel position	4250.0 mm
(G) Overall length of track assembly	2276.0 mm
(H) Overall length in travel position	5395.0 mm
(I) Track lug height	25.0 mm
(J) Blade width	1959.0 mm
(K) Height	2546.0 mm
(L) Track width	350.0 mm
(M) Machine centre line to working equipment centre line, left-hand rotation	527.0 mm
(N) Machine centre line to working equipment centre line, right-hand rotation	872.0 mm
(O) Minimum turning radius	2075.0 mm
(P) Swing clearance, rear	1035.0 mm
(Q) Working width at maximum right-hand rotation	2016.0 mm
(R) Working width at maximum left-hand rotation	2006.0 mm

Working Range



(A) Bucket pivot angle	186.0°
(B) Maximum reach of working equipment	6056.0 mm
(C) Maximum reach at ground level	5922.0 mm
(D) Maximum working equipment radius with boom at maximum height and dipperstick fully retracted	2593.0 mm
(E) Maximum blade height	370.0 mm
(F) Maximum blade depth	502.0 mm
(G) Maximum height of working equipment with dipperstick retracted, long dipperstick	4095.0 mm
(H) Maximum bucket tooth height	5499.0 mm
(I) Maximum dump height	4015.0 mm
(J) Maximum depth of vertical wall which can be excavated	2462.0 mm
(K) Maximum digging depth	3553.0 mm

Lift Capacity (Standard dipperstick - Object handling applications excluded)

RATED LIFT CAPACITY OVER BLADE, BLADE DOWN

Lift point height [H] (mm)	Maximum radius [R] (mm)	Lift at max. radius (kg)	Lift at 3000 mm radius	Lift at 4000 mm radius	Lift at 5000 mm radius
4000	4140	1057*	-	1009*	-
3000	4830	1055*	-	1003*	-
2000	5160	1114*	1535*	1227*	1118*
1000	5250	1169*	2216*	1488*	1208*
Ground	5100	1237*	2513*	1678*	1266*
-1000	4690	1309*	2462*	1688*	-

* Rated hydraulic lift capacity

RATED LIFT CAPACITY OVER BLADE, BLADE UP

Lift point height [H] (mm)	Maximum radius [R] (mm)	Lift at max. radius (kg)	Lift at 2000 mm radius	Lift at 3000 mm radius	Lift at 4000 mm radius
4000	4140	775	-	815*	-
3000	4830	607	-	826*	-
2000	5160	549	1243	810	579
1000	5250	521	1167	780	560
Ground	5100	539	1134	758	557
-1000	4690	624	1196	770	-

* Rated hydraulic lift capacity

RATED LIFT CAPACITY OVER SIDE, BLADE UP

Lift point height [H] (mm)	Maximum radius [R] (mm)	Lift at max. radius (kg)	Lift at 2000 mm radius	Lift at 3000 mm radius	Lift at 4000 mm radius
4000	4140	740	-	785	-
3000	4830	584	-	791	-
2000	5160	528	1185	772	552
1000	5250	500	1102	741	539
Ground	5100	515	1071	721	532
-1000	4690	597	1099	726	-

* Rated hydraulic lift capacity

Performance

Digging force, dipperstick (ISO 6015)	22171 N
Digging force, bucket (ISO 6015)	37744 N
Ground pressure with rubber tracks	35.41 kPa
Ground pressure with steel tracks	42.35 kPa

Cycle Times

Boom raise time	6.3 s
Boom lower time	6.7 s
Bucket curl time	2.6 s
Bucket dump time	2.0 s
Dipperstick retract time	3.6 s
Dipperstick extend time	3.7 s
Boom swing left time	4.4 s
Boom swing right time	4.6 s
Blade raise time	3.1 s
Blade lower time	2.6 s
Slew rate	8.7 RPM

Weights

Operating weight with ROPS heated cab, rubber tracks, counterweight, 600 mm bucket (SAE J732):	4975 kg
Additional weight for cab with HVAC	19 kg
Additional weight for steel tracks	125 kg

Engine

Make / model	Bobcat 1.8L, 97/68 EC Stage V Turbocharged
Fuel	Diesel
Cooling	Liquid, forced circulation
Maximum NET power (ISO 9249)	31.3 kW
Maximum governed speed	2200.0 RPM
High idle speed	2200.0 RPM
Low idle speed	1050.0 RPM
Maximum NET torque (ISO 9249)	155.0 Nm
Number of cylinders	3
Displacement	1.79 L
Bore	90.0 mm
Stroke	94.0 mm
Air filter	Dual dry replacement paper elements
Ignition	Diesel-compression
Starting aid	Intake air heater
Crankcase ventilation	Closed breathing
Fuel filter	Two-stage
Glow plug resistance	
Lubrication	Forced lubrication/cartridge type

Electrical

Alternator	12 V — 90 A — open frame with internal regulator
Battery	12 V, cold cranking current 650 A at -18O , 115 min. reserve capacity at 25A
Starter	12 V — gear reduction type — 2.0 kW

Hydraulic System

Pump type	Single outlet variable displacement piston pump with gear pumps
Piston pump capacity	99.00 L/min

Swing lock release pressure	210.00 bar
System relief pressure for blade circuit	260.00 bar
System relief pressure for joystick circuits	30.00 bar
System relief pressure for slew circuits	245.0 bar
Auxiliary relief	210.0 bar
Port relief pressure for boom, bucket and dipperstick circuits	250.00 bar
Boom port relief base and rod end	290.0 - 290.0 bar
Control valve	Closed center individually compensated
Hydraulic filter	Full-flow replaceable — 3 µm synthetic media element
Fluid lines	SAE standard tubelines, hoses, and fittings
Auxiliary (AUX1) flow	78.20 L/min
Auxiliary (AUX2) flow	46.60 L/min

Hydraulic Cylinders

Boom cylinder	Cushion up
Boom cylinder bore	95.3 mm
Boom cylinder rod	50.8 mm
Boom cylinder stroke	697.2 mm
Dipperstick cylinder	Cushion up & cushion retract
Dipperstick cylinder bore	85.6 mm
Dipperstick cylinder rod	50.8 mm
Dipperstick cylinder stroke	643.9 mm
Bucket cylinder	No cushion
Bucket cylinder bore	76.2 mm
Bucket cylinder rod	44.5 mm
Bucket cylinder stroke	524.0 mm
Boom swing cylinder	No cushion
Boom swing cylinder bore	88.9 mm
Boom swing cylinder rod	44.5 mm
Boom swing cylinder stroke	490.7 mm
Blade cylinder	No cushion
Blade cylinder bore	95.3 mm
Blade cylinder rod	50.8 mm
Blade cylinder stroke	218.1 mm

Buckets

Width	Weight (kg)	Rated capacity (L)
STD 30 cm	84	63
STD 40 cm	100	92
STD 45 cm	107	107
STD 50 cm	113	122
STD 60 cm	130	155
STD 70 cm	146	138
STD 75 cm	152	203
STD 80 cm	159	214
STD 90 cm	175	246
Grading STD 100 cm	147	195
Grading STD 130 cm	183	258
Grading STD 150 cm	207	301
Tilt STD 120 cm	205	175
Tilt STD 140 cm	220	206
Tilt STD 150 cm	228	222
Tilt STD 155 cm	353	280

Slew System

Boom swing, left	75.0°
Boom swing, right	50.0°
Slew circle	Axial piston motor connected to a planetary drive
Slew drive	Single row shear type ball bearings with internal gear

Drive System

Travel motor	Each track is driven by a hydraulic axial piston motor
Drive reduction	Two-stage planetary gear reduction 56.4:1

Traction

Track width	400.0 mm
Track width, steel, optional	350.0 mm
Track adjusters	Grease type with shock absorbing recoil springs
Track type, standard	Half-pitch, rubber (directional type)
Track type, optional	Steel, triple grouser shoe
Travel speed, low range	2.8 km/h
Travel speed, high range	5.5 km/h
Undercarriage	Crawler X-frame design with reinforced box section track roller frame and sealed track rollers
Number of track rollers per side	1 top, 5 bottom
Gradeability	24.0°

Brakes

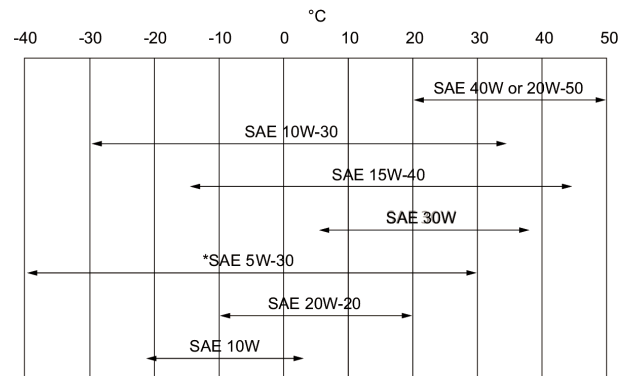
Slew brake	Spring applied, hydraulically released
Travel brake	Hydraulic brake lock on motor

Fluid Capacities

Cooling system	7.60 L
Engine lubrication plus oil filter	6.30 L
Fuel reservoir	72.00 L
Hydraulic reservoir	15.10 L
Final drive case (each)	1.00 L

Fluid Specifications

Engine coolant	Propylene glycol/water mix (53% - 47%) with freeze protection to -37°C 5 L can - 6904844A, 25 L container - 6904844B, 209 L drum - 6904844C, 1000 L tank - 6904844D
Engine oil	Oil must meet API Service Classification of CD, CE, CF4, CG4, or better. Recommended SAE viscosity number for anticipated temperature range.



Hydraulic fluid

* Can be used only when available with appropriate diesel rating. For synthetic oil use the recommendation from the oil manufacturer.

Bobcat Superior SH, 5 L can - 6904842A, 25 L container - 6904842B, 209 L drum - 6904842C, 1000 L tank - 6904842D
Bobcat Bio Hydraulic, 5 L can - 6904843A, 25 L container - 6904843B, 209 L drum - 6904843C, 1000 L tank - 6904843D

Motor oil is not an acceptable alternative fluid.

Controls

Engine	Hand dial on right hand side. Electronically controlled. Auto idle system to reduce fuel consumption.
Starting	Key type starter and shutdown switch
Blade	Right hand lever
Boom swing	Electric switch in left joystick
Hydraulics	Two joysticks control boom, bucket, dipperstick and upper structure slew
Auxiliary hydraulics	Electric switch in right joystick (left joystick for second auxiliary)
Holding brake for upper structure slew	Hydraulic lock on motor
Steering	Direction and speed controlled by two pilot-operated hand levers or two foot pedals

Instrumentation

- Charging system indicator
- Engine oil pressure indicator
- Engine temperature gauge
- Fuel gauge
- Hour meter
- Hour meter, resettable
- Hydraulic system indicator
- Tachometer
- Engine throttle dial
- Auto idle switch
- A/C control switches
- Windshield wiper/washer switch
- High travel speed indicator
- Work light switch
- Work light indicator
- Battery kill switch

Serviceability

Fuel filler is external and has key lock for vandal proofing

Access is available to the following through the rear tailgate or side access hood:

- Air cleaner with indicator
- Battery
- Cooling system (engine oil and hydraulic oil coolers) for cleaning
- Control valve
- Engine oil and fuel filters
- Engine oil level
- Hydraulic valve bank
- Starter
- Sight gauges for hydraulic level

Central grease point for swing bearing, swing pinion, and offset cylinder

Tailgate and access cover have locks for vandal-proofing.

Easy access to all grease points.

Standard Features

- 1960 mm dozer blade

- 350 mm rubber track
- 5 inch display
- Auto idle
- Adjustable double acting auxiliary hydraulic (AUX1) with QC on ARM
- Battery disconnect switch
- Blade float feature
- Clamp ready
- Control console locks
- Cupholders
- Dual Direction Detent
- Engine/hydraulic monitor with shutdown
- Foldable and ergonomic pedals
- Full fuel warning alarm
- Horn
- Hydraulic joystick controls
- Machine IQ (telematic)
- Proportional fingertip auxiliary and boom swing offset hydraulic control
- Retractable seat belt
- Selectable auxiliary hydraulic flow
- Suspension seat with high back
- Storage compartment
- Tool box
- TOPS/ROPS/FOPS cab * 1
- Two-speed travel with Auto shift
- Upper structure tie down
- LED Work lights
- Warranty: 24 months, 2000 hours (whichever occurs first)

Options

- Air conditioning (Cab with HVAC)
- 2nd Auxiliary hydraulics
- Deluxe textile suspension seat
- Boom safety valve with overload warning
- Boom & arm safety valves with overload warning
- AM/FM MP3 stereo radio
- FOGS kit (Overhead guard)
- Lifting chain kit
- Travel motion alarm
- 300 mm steel tracks
- Beacon kit
- Left and right mirror kit
- Rear LED light
- Special applications kit (Front windscreen protection)

1. Roll Over Protective Structure (ROPS) – Meets requirements of ISO 3471. Tip Over Protective Structure (TOPS) – Meets requirements of ISO 12117. Falling Object Protective Structure (FOPS) - Meets requirements of ISO 3449.

Attachments

- Auger Accessories
- Augers
- Breaker Accessories
- Breakers
- Clayspade Buckets, Klac
- Clayspade Buckets, Pin-on
- Clayspade Buckets, SW
- Digging Buckets, German Profile
- Digging Buckets, Klac
- Digging Buckets, Pin-on
- Flail Mowers
- Grading Buckets, German Type
- Grading Buckets, Klac
- Grading Buckets, Pin-on
- Klac
- Laser Equipment
- Rotary Grinders
- Skeleton Bucket, Klac
- Skeleton Bucket, Pin-On
- Skeleton Bucket, SW
- Tilt Buckets, Klac
- Tilt Buckets, Pin-on
- Tilt Buckets, SW

Environmental

Noise level LpA(EU Directive 2006/42/EC)	75 dB(A)
Noise level LWA(EU Directive 2000/14/EC)	95 dB(A)
Whole body vibration (ISO 2631–1)	0.14 ms ⁻²
Hand-arm vibration (ISO 5349–1)	0.37 ms ⁻²

Safety

<p>Retractable seat belt, standard</p> <p>Operator cab, standard</p> <p>Grab handles, standard</p> <p>Safety tread, standard</p> <p>Front working lights, standard</p> <p>Control lockout, standard</p> <p>Upper carriage slew lock, standard</p> <p>Pedal lock, standard</p> <p>Travel motion alarm, optional</p> <p>Special applications kit, optional</p> <p>Operator's handbook, standard</p>	<p>Should always be worn when operating the excavator</p> <p>A four-post canopy or optional closed cab. Meets SAE J1040 for Roll Over Protection Structure (ROPS) and ISO 12117 for Tip Over Protective Structure (TOPS). An optional top Falling Object Guard Structure (FOGS) meeting ISO 10262 Level 1 * is available.</p> <p>Should always be used when entering/exiting excavator.</p> <p>Slip resistant tread on canopy threshold to be used when entering/exiting excavator.</p> <p>Use for indoor and low light operation.</p> <p>Operator console locks out work group and travel functions when in the upright position.</p> <p>A lock pin is provided to lock the upper structure to the undercarriage for transport.</p> <p>For use when required</p> <p>Restricts objects and material from entering cab openings.</p> <p>Operator manual providing operational instructions and warning decals with pictorial and international symbols.</p>
---	---