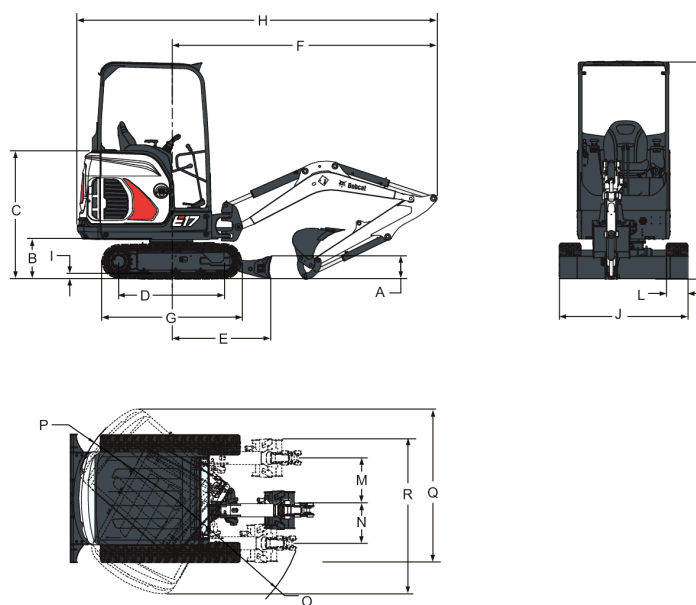
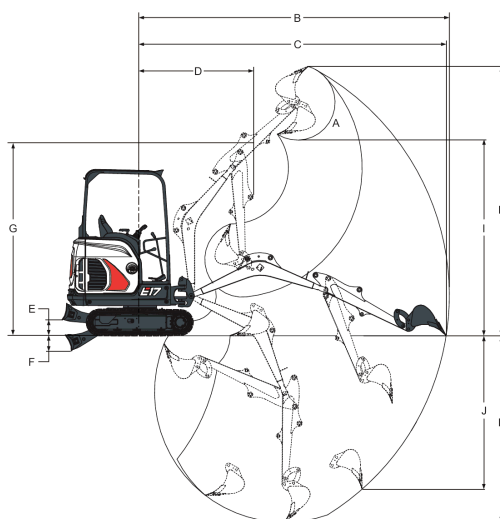


Dimensions



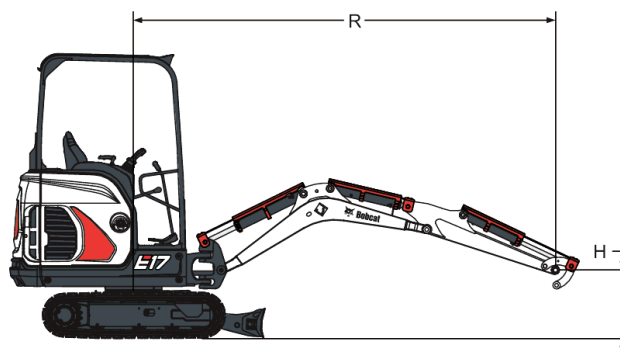
(A) Blade height	235.0 mm
(B) Clearance, upper structure to ground line	419.0 mm
(C) Ground line to top of engine cover	1340.0 mm
(D) Length of track on ground	1114.0 mm
(E) Machine centre line to blade	1045.0 mm
(F) Minimum radius in travel position	2666.0 mm
(G) Overall length of track assembly	1476.0 mm
(H) Overall length in travel position	3665.0 mm
(I) Track lug height	25.0 mm
(J) Blade width	980.0 mm
(J*) Blade width (extensions extended)	1360.0 mm
(K) Height	2299.0 mm
(L) Track width	230.0 mm
(M) Machine centre line to working equipment centre line, left-hand rotation	433.0 mm
(N) Machine centre line to working equipment centre line, right-hand rotation	589.0 mm
(O) Minimum turning radius	1128.0 mm
(P) Swing clearance, rear	1009.0 mm
(Q) Working width at maximum right-hand rotation	1801.0 mm
(R) Working width at maximum left-hand rotation	1645.0 mm

Working Range



(A) Bucket pivot angle	196.0°
(B) Maximum reach of working equipment	3919.0 mm
(C) Maximum reach at ground level	3871.0 mm
(D) Maximum working equipment radius with boom at maximum height and dipperstick fully retracted	1526.0 mm
(E) Maximum blade height	220.0 mm
(F) Maximum blade depth	204.0 mm
(G) Maximum height of working equipment with dipperstick retracted	2405.0 mm
(H) Maximum bucket tooth height	3371.0 mm
(I) Maximum dump height	2370.0 mm
(J) Maximum depth of vertical wall which can be excavated	1810.0 mm
(K) Maximum digging depth	2249.0 mm

Lift Capacity - Long blade



Lift point height [H] (mm)	Maximum radius [R] (mm)	Lift at max. radius (kg)	Lift at 2000 mm radius	Lift at 3000 mm radius
2000	2960	336*	-	-
1000	3338	331*	448*	352*
Ground	3310	305*	693*	373*
-1000	2875	309*	566*	-

* Rated hydraulic lift capacity

Lift point height [H] (mm)	Maximum radius [R] (mm)	Lift at max. radius (kg)	Lift at 2000 mm radius	Lift at 3000 mm radius
2000	2960	258	-	-
1000	3338	210	448*	246
Ground	3310	206	409	236
-1000	2875	247	416	-

* Rated hydraulic lift capacity

Lift point height [H] (mm)	Maximum radius [R] (mm)	Lift at max. radius (kg)	Lift at 2000 mm radius	Lift at 3000 mm radius
2000	3372	305	-	-
1000	3708	246	448*	289
Ground	3691	241	485	276
-1000	3315	287	485	-

* Rated hydraulic lift capacity

Lift Capacity - Long blade, cylinder covers

Lift point height [H] (mm)	Maximum radius [R] (mm)	Lift at max. radius (kg)	Lift at 2000 mm radius	Lift at 3000 mm radius
2000	2960	336*	-	-
1000	3338	331*	448*	352*
Ground	3310	305*	693*	373*
-1000	2875	309*	566*	-

* Rated hydraulic lift capacity

Lift point height [H] (mm)	Maximum radius [R] (mm)	Lift at max. radius (kg)	Lift at 2000 mm radius	Lift at 3000 mm radius
2000	2960	246	-	-
1000	3338	232	448*	233
Ground	3310	225	387	220
-1000	2875	268	391	-

* Rated hydraulic lift capacity

Lift point height [H] (mm)	Maximum radius [R] (mm)	Lift at max. radius (kg)	Lift at 2000 mm radius	Lift at 3000 mm radius
2000	3372	292	-	-
1000	3708	232	448*	276
Ground	3691	225	462	260
-1000	3315	268	461	-

* Rated hydraulic lift capacity

Performance

Digging force, dipperstick (ISO 6015)	9108 N
Digging force, bucket (ISO 6015)	16177 N
Drawbar pull	14334 N
Ground pressure with rubber tracks	29.40 kPa

Cycle Times

Boom raise time	4.6 s
Boom lower time	3.8 s
Bucket curl time	2.1 s
Bucket dump time	1.3 s
Dipperstick retract time	2.9 s
Dipperstick extend time	1.8 s
Boom swing left time	3.4 s
Boom swing right time	3.7 s
Blade raise time	1.6 s
Blade lower time	1.8 s
Slew rate	8.7 RPM
Undercarriage expand time	4.1 s
Undercarriage retract time	3.5 s

Weights

Operating weight with canopy and bucket (ISO 6016)	1711 kg
Additional weight for cab with heating	96 kg
Transport mass (no attachment)	1594 kg
Additional weight for long dozer blade	9 kg

Engine

Make / model	Kubota / D722-E4B (Stage V)
Fuel	Diesel
Cooling	Liquid, forced circulation
Maximum power @ 2500 rpm (ISO 14396)	10.2 kW
Maximum torque (SAE)	43.5 Nm
Number of cylinders	3
Displacement	719 cm ³
Bore	67.0 mm
Stroke	68.0 mm
Air filter	Dual dry replaceable paper cartridge
Ignition	Diesel compression
Fuel filter	
Glow plug resistance	

Electrical

Alternator	12 V — 40 A — open frame with internal regulator
Battery	12 V — 500 A cold cranking current — 90 min reserve
Starter	12 V - 1.4 kW - positive shift drive

Hydraulic System

Pump type	Triple gear pump
Total hydraulic capacity	32.50 L/min
System relief pressure for slew circuits	137.0 bar
Auxiliary relief	227.0 bar
Dipperstick port relief base and rod end	250.00 bar
Main hydraulic filter bypass	3.40 bar
Control valve	Nine-spool parallel type, open centre
Auxiliary flow	32.50 L/min

Hydraulic Cylinders

Boom cylinder	Cushion up
Boom cylinder bore	63.5 mm
Boom cylinder rod	38.1 mm
Boom cylinder stroke	438.9 mm
Dipperstick cylinder	Cushion up and down
Dipperstick cylinder bore	57.2 mm
Dipperstick cylinder rod	38.1 mm
Dipperstick cylinder stroke	419.9 mm
Bucket cylinder	No cushion
Bucket cylinder bore	50.8 mm
Bucket cylinder rod	31.8 mm
Bucket cylinder stroke	385.1 mm
Boom swing cylinder	No Cushion

Boom swing cylinder bore	60.3 mm
Boom swing cylinder rod	31.8 mm
Boom swing cylinder stroke	411.2 mm
Blade cylinder	No cushion
Blade cylinder bore	57.3 mm
Blade cylinder rod	31.8 mm
Blade cylinder stroke	107.9 mm
Undercarriage cylinder	No cushion
Undercarriage cylinder bore	44.5 mm
Undercarriage cylinder rod	25.4 mm
Undercarriage cylinder stroke	385.0 mm

Buckets

Width (mm)	Weight (kg)	Struck capacity (m³)	Rated capacity (m³)
150	26.3	-	0.011
230	30.4	-	0.017
300	34.5	-	0.025
400	41.7	-	0.036
450	44.8	-	0.041
500	47.7	-	0.047
600	55.2	-	0.058
800	62	-	0.051
1000	74	-	0.065

Slew System

Boom swing, left	80.0°
Boom swing, right	60.0°
Slew circle	Single row shear-type ball bearings with internal gear
Slew drive	Orbit motor

Drive System

Travel motor	Each track is driven by a hydraulic axial piston motor
Drive reduction	Two-stage planetary gear reduction 23.04:1

Traction

Track width	230.0 mm
Track adjusters	Grease type adjusters, rubber
Track type, standard	Half-pitch, rubber
Travel speed, low range	2.1 km/h
Travel speed, high range (optional)	4.3 km/h
Undercarriage	Sealed track rollers with box section track roller frame
Number of track rollers per side	3
Gradeability	30.0°

Brakes

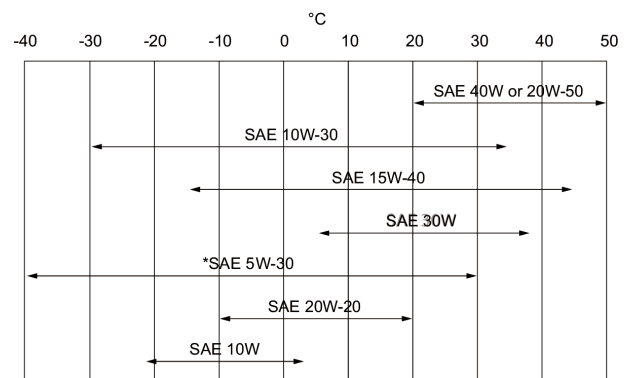
Parking brake	Hydraulic lock on motor
Slew brake	Spring applied, pressure released
Travel brake	Hydraulic lock on motor

Fluid Capacities

Fuel reservoir	19.00 L
Hydraulic reservoir	14.30 L
Final drive case (each)	0.40 L

Fluid Specifications

Engine coolant	Propylene glycol/water mix (53% - 47%) with freeze protection to -37°C 5 L can - 6904844A, 25 L container - 6904844B, 209 L drum - 6904844C, 1000 L tank - 6904844D
Engine oil	Oil must meet API Service Classification of CD, CE, CF4, CG4, or better. Recommended SAE viscosity number for anticipated temperature range.



Hydraulic fluid

* Can be used only when available with appropriate diesel rating. For synthetic oil use the recommendation from the oil manufacturer.

Bobcat Superior SH, 5 L can - 6904842A, 25 L container - 6904842B, 209 L drum - 6904842C, 1000 L tank - 6904842D
Bobcat Bio Hydraulic, 5 L can - 6904843A, 25 L container - 6904843B, 209 L drum - 6904843C, 1000 L tank - 6904843D

Motor oil is not an acceptable alternative fluid.

Controls

Engine	Hand lever on right hand side
Starting	Key-type starter switch and shutdown
Blade	Right hand lever
Boom swing	Right foot pedal
Hydraulics	Two joysticks control boom, bucket, dipperstick and upper structure slew
Auxiliary hydraulics	Left-hand foot pedal
Upper structure slew lock for holding and service	Hydraulic lock on motor
Holding brake for upper structure slew	Spring applied, pressure released
Steering	Direction and speed controlled by two hand levers or foot pedals

Instrumentation

- LCD display
 - Hour meter
 - Job clock
 - Engine RPM
 - Battery voltage
 - Service reminder
 - Service codes
 - Engine pre-heat and countdown for glow plugs (time depends on engine coolant temperature)
- Gauges
 - Fuel level
 - Engine coolant temperature
- Indicators
 - High travel speed indicator
 - Seat belt
 - Left console lockout
- Warning lights
 - General warning
 - Engine malfunction
 - Hydraulic system malfunction
- Buttons
 - Lights
 - Information
- Left hand console
 - Windshield wiper/washer switch (optional)
 - Retractable undercarriage switch
 - Beacon / strobe switch (optional)
 - Overload warning device switch (optional)

Serviceability

Fuel filler is external and has key lock for vandal proofing

Access is available to the following through the rear tailgate or side access hood:

- Air cleaner with indicator
- Battery
- Cooling system (engine oil and hydraulic oil coolers) for cleaning
- Engine oil and fuel filters
- Engine oil level
- Fuel filler
- Starter
- Sight gauges for hydraulic level
- Sight gauge for fuel level

Central grease point for swing bearing, swing pinion, and offset cylinder

Tailgate and access cover have locks for vandal-proofing.

Easy access to all grease points.

Standard Features

- 230 mm rubber track
- 980 mm dozer blade with two 190 mm blade extensions
- Battery disconnect switch
- Control console locks
- Cupholders

- Double acting auxiliary hydraulics
- Engine monitor with auto shutdown
- Exposed counterweight with 4 mm steel tailgate
- Foldable and ergonomic travel pedals
- Full fuel warning alarm
- Grease gun holder
- Horn
- Hydraulic and travel control lockout
- Hydraulic joystick controls
- Hydraulically retractable undercarriage from 1360 mm to 980 mm
- Retractable seat belt
- Storage compartment
- TOPS/ROPS/FOPS canopy ¹
- Upper structure four point tie down
- Water separator
- Work light (boom)
- Warranty: 24 months, 2000 hours (whichever occurs first)

Options

- Demolition package (boom, arm, bucket cylinder covers & HD travel hoses guard)
- Object handling package (Valves, OWD, Lifteye)
- TOPS/ROPS cab w/ heater
- Long dozer blade
- AUX1 direct return to tank
- AUX1 on arm
- Keyless ignition
- Travel motion alarm
- AM/FM MP3 radio
- Additional halogen lights
- Beacon
- Dlx textile suspension seat
- Special Application kit
- L/R mirrors
- Fire extinguisher
- Klac C and MS01 couplers

Attachments

- | | |
|-----------------------------------|---------------------------|
| • Auger Accessories | • Grading Buckets, Klac |
| • Augers | • Grading Buckets, Pin-on |
| • Breakers | • Klac |
| • Clayspade Buckets, Klac | • Laser Equipment |
| • Clayspade Buckets, Pin-on | • Skeleton Bucket, Klac |
| • Clayspade Buckets, SW | • Skeleton Bucket, Pin-On |
| • Digging Buckets, German Profile | • Skeleton Bucket, SW |
| • Digging Buckets, Klac | • Tilt Buckets, Klac |
| • Digging Buckets, Pin-on | • Tilt Buckets, Pin-on |
| • Grading Buckets, German Type | • Tilt Buckets, SW |

1. Roll Over Protective Structure (ROPS) – Meets requirements of ISO 3471. Tip Over Protective Structure (TOPS) – Meets requirements of ISO 12117. Falling Object Protective Structure (FOPS) - Meets requirements of ISO 3449.

Environmental

Noise level LpA(EU Directive 2006/42/EC)	79 dB(A)
Noise level LWA(EU Directive 2000/14/EC)	93 dB(A)
Whole body vibration (ISO 2631–1)	0.33 ms ⁻²
Hand-arm vibration (ISO 5349–1)	0.51 ms ⁻²

Safety

Retractable seat belt, standard	Should always be worn when operating the excavator
Operator cab, standard	A four-post canopy or optional closed cab. Roll Over Protective Structure (ROPS) – Meets requirements of ISO 3471. Tip Over Protective Structure (TOPS) – Meets requirements of ISO 12117. Falling Object Protective Structure (FOPS) - Meets requirements of ISO 3449.
Grab handles, standard	Should always be used when entering/exiting excavator.
Safety tread, standard	Slip resistant tread on canopy threshold to be used when entering/exiting excavator.
Front working lights, standard	Use for indoor and low light operation.
Control lockout, standard	Operator console locks out work group and travel functions when in the upright position.
Upper carriage slew lock, standard	An automatic disc brake locks the upper structure to the undercarriage for transport.
Pedal lock, standard	Prevents activation of the boom swing function.
Travel motion alarm, optional	For use when required
Special applications kit, optional	Restricts objects and material from entering cab openings.
Operator's handbook, standard	