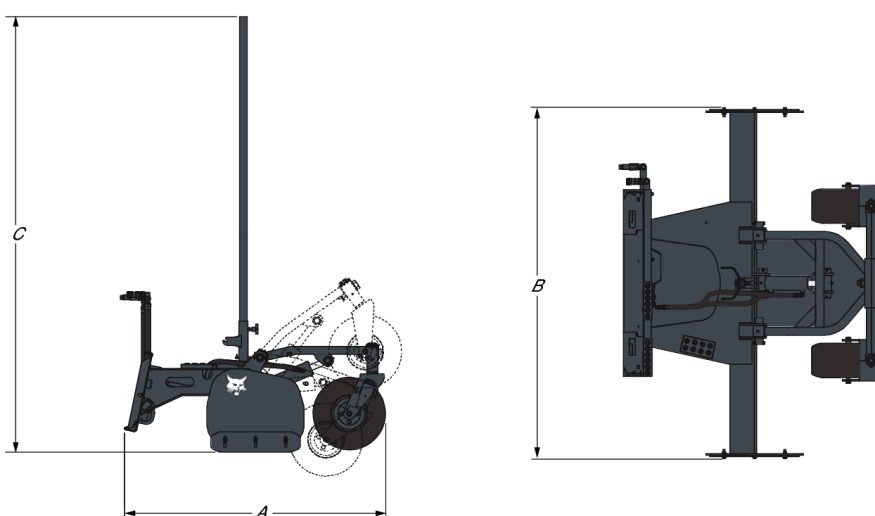


Description

The laser box blade is designed for precise grading and has a grade accuracy of 6 mm. The box blade without laser is intended for rough grading and landscaping applications. Both heavy-duty box blades have an 214 cm grading width and a reversible cutting edge for longer life.

Dimensions



Description	Item number	Overall length (A) (mm)	Overall width (B) (mm)	Overall height (C) (mm)
Box Blade 214 cm	6906574	1634.0	2140.0	813.0
Box Blade 214 cm with Laser Mounting	6906676	1634.0	2140.0	813.0

Weights

Description	Item number	Operating weight (kg)	Shipping weight (kg)
Box Blade 214 cm	6906574	445.0	463.0
Box Blade 214 cm with Laser Mounting	6906676	464.0	481.0

Characteristics and performance

Description	Item number	Blade width fully angled (D) (mm)	Blade Cutting Edge (reversible) (mm)	Grade Accuracy with Laser (mm)
Box Blade 214 cm	6906574	2134.0	12.7 x 152	-
Box Blade 214 cm with Laser Mounting	6906676	2134.0	12.7 x 152	± 6

Main features

- Designed for precise grading.
- Available with a fully-integrated laser ready control system (must also order receiver)

Specifications are subject to change without notice - Pictures of Bobcat units may show other than standard equipment

- Operated with switches mounted on the loader's steering levers.
- Reversible cutting edge.
- Grading width of 214 cm.
- Comes standard with foam-filled tires for added flotation.

Applications

- Construction and Demolition
- Grading and Leveling
- Landscaping

Loader Compatibility

Description	Item number	Compatible with loader	Functional requirements
Box Blade 214 cm	6906574	A770-B, T450E IIIB, T590E IIIB, T590B iT4, T650E iT4, T650B iT4, S510E IIIA, S510B, S530E IIIA, S530B, S550E IIIB, S550B iT4, S570B iT4, S590E IIIB, S590B iT4, S630E iT4, S630B iT4, S770E IV, S770E T3, S770B T3, A770E IV, S510E V, S530E V, T590E V, T450E V, S66, S76, T66, T76, S510B, S530B, S550E V, S590E V, S630B iT4, S650B iT4	-
Box Blade 214 cm with Laser Mounting	6906676	A770-B, T450E IIIB, T590E IIIB, T590B iT4, T650E iT4, T650B iT4, S510E IIIA, S510B, S530E IIIA, S530B, S550E IIIB, S550B iT4, S570B iT4, S590E IIIB, S590B iT4, S630E iT4, S630B iT4, S770E IV, S770E T3, S770B T3, A770E IV, S510E V, S530E V, T590E V, T450E V, S66, S76, T66, T76, S510B, S530B, S550E V, S590E V, S630B iT4, S650B iT4	-

Accessories For Loader-Compatible Attachments

Description	Item number	Compatible with attachment	Functional requirements
Laser Transmitter Single Slope GL412N	7275231	6906676 BLADE 84 BOX LASR	-
Laser Tripod	6688806	6906676 BLADE 84 BOX LASR	-
Laser Receiver BLR2	7160486	6906676 BLADE 84 BOX LASR	-

BE OM **EN OFFERT**

Klicka bara på **knappen** eller skanna **QR-koden** nedan för åtkomst till vårt offertformulär.

Vi kontaktar dig så snart som möjligt. Tack!



BEGÄR OFFERT

