

# BOB-TACH ATTACHMENT SYSTEMS

Turn Bobcat loader into a versatile fleet by adding Bobcat attachments



# BOB-TACH

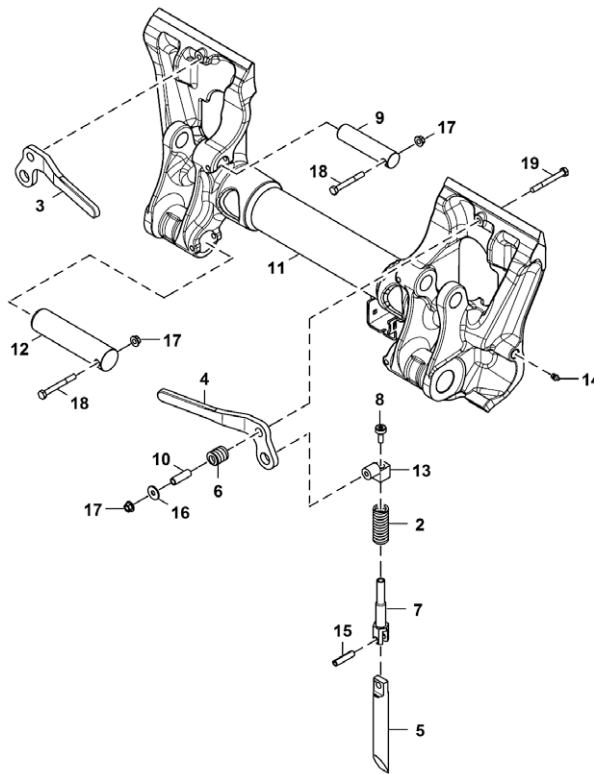
## ATTACHMENT SYSTEMS

Turn Bobcat loader into a versatile fleet by adding Bobcat attachments. Attachments can be changed out quickly and easily using the Bob-Tach or Power Bob-Tach mounting systems.

### ► Complete Bob-Tach Systems and Bob-Tach Lever Repair Kits

Standard Bob-Tach mounting is proven and time-tested system for quick and easy attachments change. Line the loader's mounting plate to the attachment, engage the attachment wedges, and lower levers until they're locked securely in place.

Lever repair Kits contains all the items needed to repair or replace the Bob-Tach lever assembly under one product number. It is the easiest, fastest and cost effective solution.



BOB-TACH SYSTEMS AND LEVER REPAIR KITS			
MODELS	COMPLETE BOB-TACH SYSTEM	CORRESPONDING LEVER KITS	
		LEFT HAND	RIGHT HAND
440, 443, 450, 453	6529478	-	-
463, MT50, MT52, MT55, S70	6727229	-	-
553	6732079	-	-
643, 645, 743, 751, 753, 763, 773, S130, T140	6709215	6724776	6724775
773, S150, S160, S175, S185, S205, T180 T190	7143508	-	-
843	6562394	6579433	6579434
853	6577986	6724776	6724775
863, 864, A220, T200	6718752		
963	6809970	-	-
S100, T110	7239383	-	-
A300, S220, S250, S300, S330, T250, T300, T320	6729029	6724776	6724775
S450, T450	7196775	7427784	7427785
S510, S530, S550, S570, S590, T550, T590	7148033	-	-
S510, S530, S550, S570, S590, T550, T590	7276373	7372230	7372229
A770, S630, S650, S770, T590, T650, T770	7128962		
S850, T870	7128005		
S66, S76, T66, T76	7317852	7399871	7399872

## ► Power Bob-Tach – Quick Attachments Change

Minimize the time needed to switch attachments with fast and easy Power Bob-Tach system. With the flip of a dash panel switch, Power Bob-Tach mounting system engages the Bob-Tach wedges into the attachment you wish to use.

Change Bobcat non-hydraulic attachments in under a minute without leaving operators seat. For hydraulic loader attachments, all you need to do is hook up the hoses after you have secured the attachment to your compact loader.

POWER BOB-TACH KITS		
MODELS	SERIAL NUMBERS	POWER BOB-TACH KIT
873	Please check compatible SN ranges in OPC	6735489
S130, T140		7102101
S130, T140		7107387
S150, S160, T180		6736786
S150, S160, T180		7102867
S175, S185, S205, T190		7102865
S450, T450		7365619
A770, S510, S530, S550, S590, S630, S650, S770, S850, T590, T650, T770, T870		7365207
S66, T66		7388378
S76, T76		7360584

The system design also makes it easy to see whether the wedges are up or down and securely locked. Large levers are also possible to use manually if needed.

See for yourself comparison to main competitors' quick tach system and witness the superiority of original Bobcat Power Bob-Tach system.





Bobcat



# BE OM EN OFFERT

Klicka bara på **knappen** eller skanna **QR-koden** nedan för åtkomst till vårt offertformulär.

Vi kontaktar dig så snart som möjligt. Tack!



**BEGÄR OFFERT**

