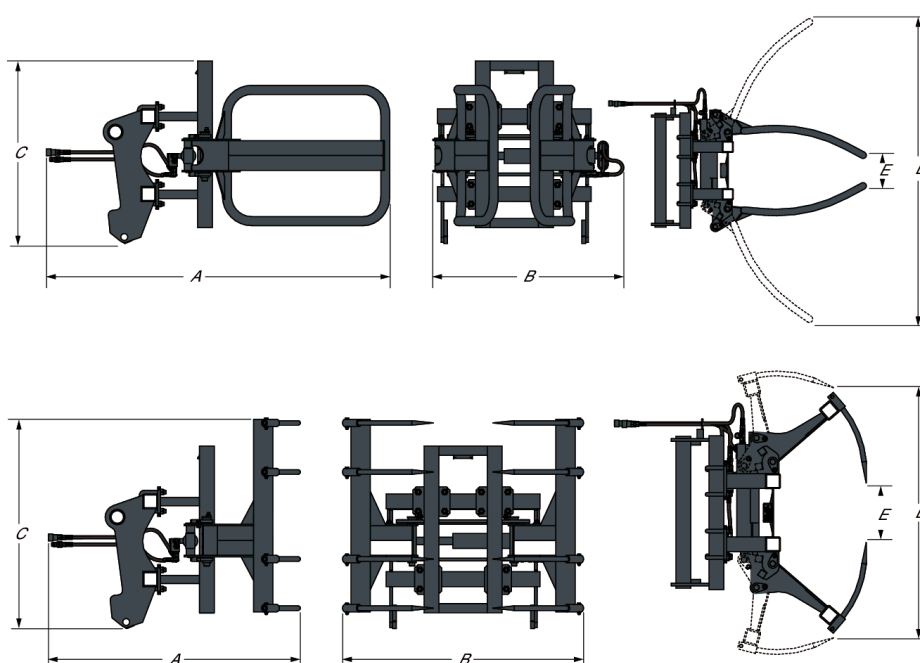


Description

These handlers are used to transport 1 or 2 round bales with diameters from 1.2 to 1.6 m. In order to firmly grip the bales, the handler is provided with two hydraulically operated arms with brackets with 4 tines on each side or with round shaped tubes.

Dimensions



Description	Item number	Overall Length (A) (mm)	Overall Width (B) (mm)	Overall Height (C) (mm)	Max. jaw opening (D) (mm)	Min. Jaw opening (E) (mm)
Bale Handler w/ Tines, Height 1 m, 1.2 m - 1.6 m Diameter QT	6922897-BCT	-	1300.0	-	1352.0	322.0
Bale Handler w/ Tines, Height 1.4 m, 1.2 m - 1.6 m Diameter QT	7175977-BCT	-	1300.0	-	1352.0	322.0
Bale Handler w/ Tines, Height 1 m, 1.2 m - 1.6 m Diameter MT	7194875-BCT	-	1300.0	-	1352.0	322.0
Bale Handler w/ Tines, Height 1.4 m, 1.2 m - 1.6 m Diameter MT	7194876-BCT	-	1300.0	-	1352.0	322.0

Bale Squeeze Handlers

Attachments Specifications

Description	Item number	Overall Length (A) (mm)	Overall Width (B) (mm)	Overall Height (C) (mm)	Max. jaw opening (D) (mm)	Min. Jaw opening (E) (mm)
Bale Handler w/ Tubes, 1 m - 1.3 m Diameter, QT	6922899-BCT	-	947.0	-	2144.0	146.0
Bale Handler w/ Tubes, 1.4 m - 1.6 m Diameter, QT	7175823-BCT	-	1076.0	-	253.0	2624.0
Bale Handler w/ Tubes, 1.6 m - 1.8 m Diameter, QT	7175947-BCT	-	1400.0	-	3032.0	509.0
Bale Handler w/ Tubes, 1 m - 1.3 m Diameter, MT	7194872-BCT	-	879.0	-	2144.0	146.0
Bale Handler w/ Tubes, 1.4 m - 1.6 m Diameter, MT	7194873-BCT	-	1076.0	-	2624.0	253.0
Bale Handler w/ Tubes, 1.6 m - 1.8 m Diameter, MT	7194874-BCT	-	1395.0	-	3032.0	509.0

Weights

Description	Item number	Operating weight (kg)	Shipping weight (kg)	Capacity (kg)
Bale Handler w/ Tines, Height 1 m, 1.2 m - 1.6 m Diameter QT	6922897-BCT	227.0	227.0	1000.0
Bale Handler w/ Tines, Height 1.4 m, 1.2 m - 1.6 m Diameter QT	7175977-BCT	241.0	241.0	1000.0
Bale Handler w/ Tines, Height 1 m, 1.2 m - 1.6 m Diameter MT	7194875-BCT	219.0	219.0	1000.0
Bale Handler w/ Tines, Height 1.4 m, 1.2 m - 1.6 m Diameter MT	7194876-BCT	233.0	233.0	1000.0
Bale Handler w/ Tubes, 1 m - 1.3 m Diameter, QT	6922899-BCT	216.0	216.0	800.0
Bale Handler w/ Tubes, 1.4 m - 1.6 m Diameter, QT	7175823-BCT	265.0	265.0	900.0
Bale Handler w/ Tubes, 1.6 m - 1.8 m Diameter, QT	7175947-BCT	295.0	295.0	1000.0

Bale Squeeze Handlers

Attachments
Specifications

Description	Item number	Operating weight (kg)	Shipping weight (kg)	Capacity (kg)
Bale Handler w/ Tubes, 1 m - 1.3 m Diameter, MT	7194872-BCT	208.0	208.0	800.0
Bale Handler w/ Tubes, 1.4 m - 1.6 m Diameter, MT	7194873-BCT	257.0	257.0	900.0
Bale Handler w/ Tubes, 1.6 m - 1.8 m Diameter, MT	7194874-BCT	287.0	287.0	1000.0

Main features

- Delivered with structure, mechanical interface.
- Hose kit included.

Applications

- Agriculture

Telescopic Compatibility

Description	Item number	Compatible with telescopic	Functional requirements
Bale Handler w/ Tines, Height 1 m, 1.2 m - 1.6 m Diameter QT	6922897-BCT	TL26.60 High Cab 100 IIIA, TL30.60 AGRI High Cab 100 IIIA, TL30.60 AGRI High Cab 100 IV, TL30.60 AGRI Low Cab 100 IIIA, TL30.60 AGRI Low Cab 100 IV, TL30.70 AGRI Low Cab 100 IV, TL30.70 AGRI High Cab 100 IV, TL26.60 High Cab 100 IV, TL26.60 Low Cab 100 IV, TL26.60 Low Cab 100 IIIA, TL30.60 High Cab 100 IV, TL30.60 Low Cab 100 IV, TL30.60 High Cab 100 IIIA, TL30.60 Low Cab 100 IIIA, TL30.70 High Cab 100 IIIA, TL30.70 High Cab 100 IV, TL30.70 Low Cab 100 IV, TL34.65HF 130 IV, TL35.70 100 IIIA, TL35.70 100 IV, TL38.70HF 130 IIIA, TL38.70HF 130 IV, TL43.80HF IIIA, TL43.80HF IV, TL30.60 Low Cab 75 V, TL30.60 High Cab 75 V, TL30.70 Low Cab 75 V	-

Bale Squeeze Handlers

Attachments Specifications

Description	Item number	Compatible with telescopic	Functional requirements
Bale Handler w/ Tines, Height 1.4 m, 1.2 m - 1.6 m Diameter QT	7175977-BCT	TL26.60 High Cab 100 IIIA, TL30.60 AGRI High Cab 100 IIIA, TL30.60 AGRI High Cab 100 IV, TL30.60 AGRI Low Cab 100 IIIA, TL30.60 AGRI Low Cab 100 IV, TL30.70 AGRI Low Cab 100 IV, TL30.70 AGRI High Cab 100 IV, TL26.60 High Cab 100 IV, TL26.60 Low Cab 100 IV, TL26.60 Low Cab 100 IIIA, TL30.60 High Cab 100 IV, TL30.60 Low Cab 100 IV, TL30.60 High Cab 100 IIIA, TL30.60 Low Cab 100 IIIA, TL30.70 High Cab 100 IIIA, TL30.70 High Cab 100 IV, TL30.70 Low Cab 100 IV, TL34.65HF 130 IV, TL35.70 100 IIIA, TL35.70 100 IV, TL38.70HF 130 IIIA, TL38.70HF 130 IV, TL43.80HF IIIA, TL43.80HF IV, TL30.60 Low Cab 75 V, TL30.60 High Cab 75 V, TL30.70 Low Cab 75 V	-
Bale Handler w/ Tines, Height 1 m, 1.2 m - 1.6 m Diameter MT	7194875-BCT	TL34.65HF 130 IV, TL35.70 100 IIIA, TL35.70 100 IV, TL38.70HF 130 IIIA, TL38.70HF 130 IV, TL43.80HF IIIA, TL43.80HF IV	-
Bale Handler w/ Tines, Height 1.4 m, 1.2 m - 1.6 m Diameter MT	7194876-BCT	TL34.65HF 130 IV, TL35.70 100 IIIA, TL35.70 100 IV, TL38.70HF 130 IIIA, TL38.70HF 130 IV, TL43.80HF IIIA, TL43.80HF IV	-

Bale Squeeze Handlers

Attachments Specifications

Description	Item number	Compatible with telescopic	Functional requirements
Bale Handler w/ Tubes, 1 m - 1.3 m Diameter, QT	6922899-BCT	TL26.60 High Cab 100 IIIA, TL30.60 AGRI High Cab 100 IIIA, TL30.60 AGRI High Cab 100 IV, TL30.60 AGRI Low Cab 100 IIIA, TL30.60 AGRI Low Cab 100 IV, TL30.70 AGRI Low Cab 100 IV, TL30.70 AGRI High Cab 100 IV, TL26.60 High Cab 100 IV, TL26.60 Low Cab 100 IV, TL26.60 Low Cab 100 IIIA, TL30.60 High Cab 100 IV, TL30.60 Low Cab 100 IV, TL30.60 High Cab 100 IIIA, TL30.60 Low Cab 100 IIIA, TL30.70 High Cab 100 IIIA, TL30.70 High Cab 100 IV, TL30.70 Low Cab 100 IV, TL34.65HF 130 IV, TL35.70 100 IIIA, TL35.70 100 IV, TL38.70HF 130 IIIA, TL38.70HF 130 IV, TL43.80HF IIIA, TL43.80HF IV, TL30.60 Low Cab 75 V, TL30.60 High Cab 75 V, TL30.70 Low Cab 75 V	-
Bale Handler w/ Tubes, 1.4 m - 1.6 m Diameter, QT	7175823-BCT	TL26.60 High Cab 100 IIIA, TL30.60 AGRI High Cab 100 IIIA, TL30.60 AGRI High Cab 100 IV, TL30.60 AGRI Low Cab 100 IIIA, TL30.60 AGRI Low Cab 100 IV, TL30.70 AGRI Low Cab 100 IV, TL30.70 AGRI High Cab 100 IV, TL26.60 High Cab 100 IV, TL26.60 Low Cab 100 IV, TL26.60 Low Cab 100 IIIA, TL30.60 High Cab 100 IV, TL30.60 Low Cab 100 IV, TL30.60 High Cab 100 IIIA, TL30.60 Low Cab 100 IIIA, TL30.70 High Cab 100 IIIA, TL30.70 High Cab 100 IV, TL30.70 Low Cab 100 IV, TL34.65HF 130 IV, TL35.70 100 IIIA, TL35.70 100 IV, TL38.70HF 130 IIIA, TL38.70HF 130 IV, TL43.80HF IIIA, TL43.80HF IV, TL30.60 Low Cab 75 V, TL30.60 High Cab 75 V, TL30.70 Low Cab 75 V	-

Bale Squeeze Handlers

Attachments Specifications

Description	Item number	Compatible with telescopic	Functional requirements
Bale Handler w/ Tubes, 1.6 m - 1.8 m Diameter, QT	7175947-BCT	TL26.60 High Cab 100 IIIA, TL30.60 AGRI High Cab 100 IIIA, TL30.60 AGRI High Cab 100 IV, TL30.60 AGRI Low Cab 100 IIIA, TL30.60 AGRI Low Cab 100 IV, TL30.70 AGRI Low Cab 100 IV, TL30.70 AGRI High Cab 100 IV, TL26.60 High Cab 100 IV, TL26.60 Low Cab 100 IV, TL26.60 Low Cab 100 IIIA, TL30.60 High Cab 100 IV, TL30.60 Low Cab 100 IV, TL30.60 High Cab 100 IIIA, TL30.60 Low Cab 100 IIIA, TL30.70 High Cab 100 IIIA, TL30.70 High Cab 100 IV, TL30.70 Low Cab 100 IV, TL34.65HF 130 IV, TL35.70 100 IIIA, TL35.70 100 IV, TL38.70HF 130 IIIA, TL38.70HF 130 IV, TL43.80HF IIIA, TL43.80HF IV, TL30.60 Low Cab 75 V, TL30.60 High Cab 75 V, TL30.70 Low Cab 75 V	-
Bale Handler w/ Tubes, 1 m - 1.3 m Diameter, MT	7194872-BCT	TL34.65HF 130 IV, TL35.70 100 IIIA, TL35.70 100 IV, TL38.70HF 130 IIIA, TL38.70HF 130 IV, TL43.80HF IIIA, TL43.80HF IV	-
Bale Handler w/ Tubes, 1.4 m - 1.6 m Diameter, MT	7194873-BCT	TL34.65HF 130 IV, TL35.70 100 IIIA, TL35.70 100 IV, TL38.70HF 130 IIIA, TL38.70HF 130 IV, TL43.80HF IIIA, TL43.80HF IV	-
Bale Handler w/ Tubes, 1.6 m - 1.8 m Diameter, MT	7194874-BCT	TL34.65HF 130 IV, TL35.70 100 IIIA, TL35.70 100 IV, TL38.70HF 130 IIIA, TL38.70HF 130 IV, TL43.80HF IIIA, TL43.80HF IV	-

BE OM **EN OFFERT**

Klicka bara på **knappen** eller skanna **QR-koden** nedan för åtkomst till vårt offertformulär.

Vi kontaktar dig så snart som möjligt. Tack!



BEGÄR OFFERT

